









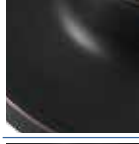
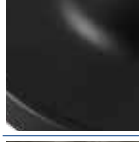



Finsh	Finsh Code	US Code	Description
	505	505	PVD Coated, Bright Brass
	605	US3	Bright Brass
	609	US5	Antique Brass
	613	US10B	Oil Rubbed Bronze
	616	US11	Antique Nickel
	619	US15	Satin Nickel
	620	US15A	Antique Nickel
	625	US26	Bright Chrome
	626	US26D	Satin Chrome
	630	US32D	Satin Stainless Steel
	716		Aged Bronze
	A13	US19	Matte Black
	A19	US15A	Antique Pewter

FAULTLESS.



TAIWAN FU HSING INDUSTRIAL CO.,LTD
 No.88, Yucai Rd., Gangshan Dist., Kaohsiung
 City 820, Taiwan (R.O.C.) 82059
 Tel : 886-7-6225151
 Fax : 886-7-6225403
 Home Page : <http://www.fuhsing.com.tw>
 E-mail : service@fuhsing.com.tw

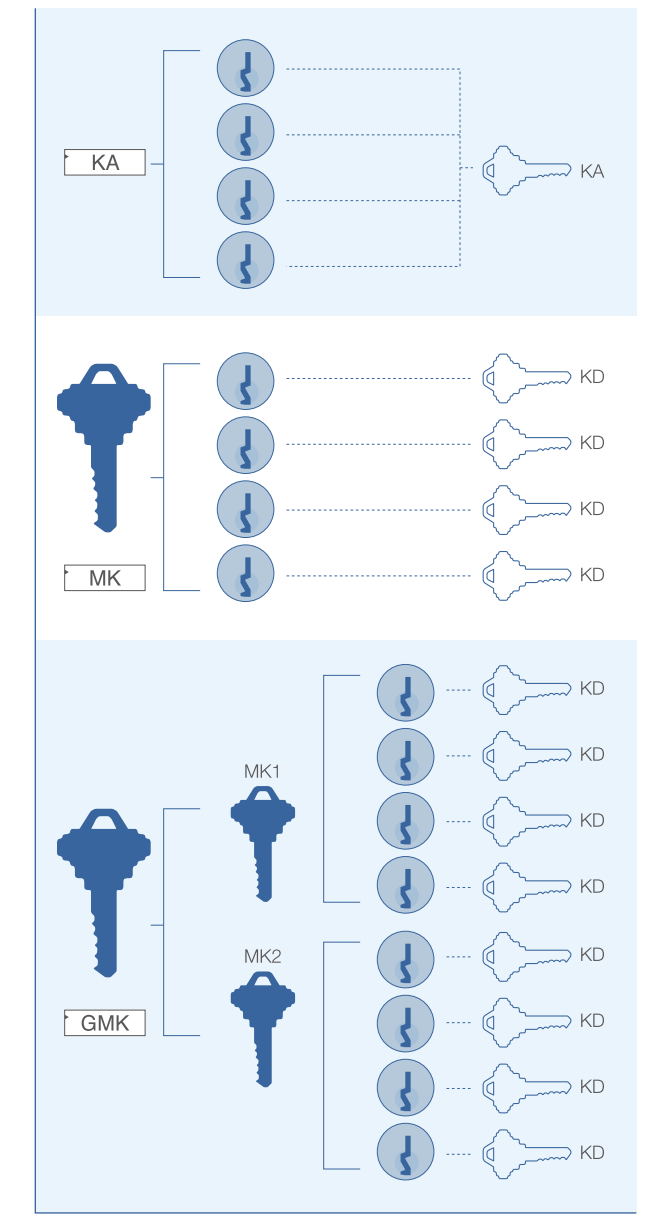
FU HSING AMERICAS, INC.
 1424 Buford Business Boulevard
 Buford, GA 30518 U.S.A.
 Tel : 1-770-441-2830
 Fax : 1-770-441-1587
 Customer Service Toll-free No.
 1-877-ONE-LOCK

60 Sixty Years

- 1957 Taiwan Fu Hsing Industrial Co., Ltd. (TFH) established.
- 1995 Taiwan Fu Hsing Industrial Co., Ltd. goes public, listed and traded on the Taiwan Stock Exchange.
- 1995 Door Closer / Exit Device factory (Taiwan) commissioned.
- 1999 Atlanta-Based Fu Hsing Americas, Inc. (FHA) established.
- 1999 China door lock factory established as Fu Hsing Industrial (Shanghai) Co., Ltd.
- 2003 Taiwan door Lock factory test lab ITS certified.
- 2004 Taiwan door closer factory test lab EN certified.
- 2004 China door lock factory test lab ITS certified.
- 2005 Establishment of Formflex Metal Industrial Co., Ltd. (China).
- 2005 Acquisition of Ziyong Hardware Products Co., Ltd. (China).
- 2009 Acquisition of Arctek Industrial Co., Ltd.
- 2011 Acquiring AEO (Authorized Economic Operator) certificate
- 2012 Establishment of Arctek (Shanghai) International
- 2013 Spin-off door closer division to Fortress Industrial Co.,Ltd. (Taiwan)
- 2014 Acquisition of Hundure Technology Co., Ltd.
- 2014 Arctek (Shanghai) is rewarded top 10 of Door Control Hardware Vendor in China.

Glory

-  CNS-certified
-  Taiwan Excellence Award
- SMEA Award
- National Industrial Innovation Award
- Over 700 global patents
- TWAEO-certified
- ISO 9001
- ISO 14001



Code	Description
KD / Keyed-Different	Where the same key operates two or more cylinders. The keyed alike system gives the advantage of one-key convenience in houses and commercial premises.
KA / Keyed-Alike	The key will only operate that particular cylinder.
MK / Master Key	A number of cylinders in a group can be operated by one "master key" whilst at the same time can also be operated by individual keys. The master keying system is useful in applications such as motels, hotels, and office blocks amongst others.
GMK / Grand Master Key	An extension of a master key system, where a grand master key will operate a number of master key systems. For use in multi-level buildings that have a master key system for each floor or department.
CK / Construction Keyed	A construction keyed cylinder provides builders and contractors with access to a building during its construction stage via a "construction key". This system works in conjunction with a "servant key" i.e. the owner's key. Once the servant key is used in the lock, the construction key can no longer operate the cylinder. The servant key is therefore used at the completion of the job disenabling access of construction key holders (builders/contractors) to the building without the need to replace or rekey the cylinders.










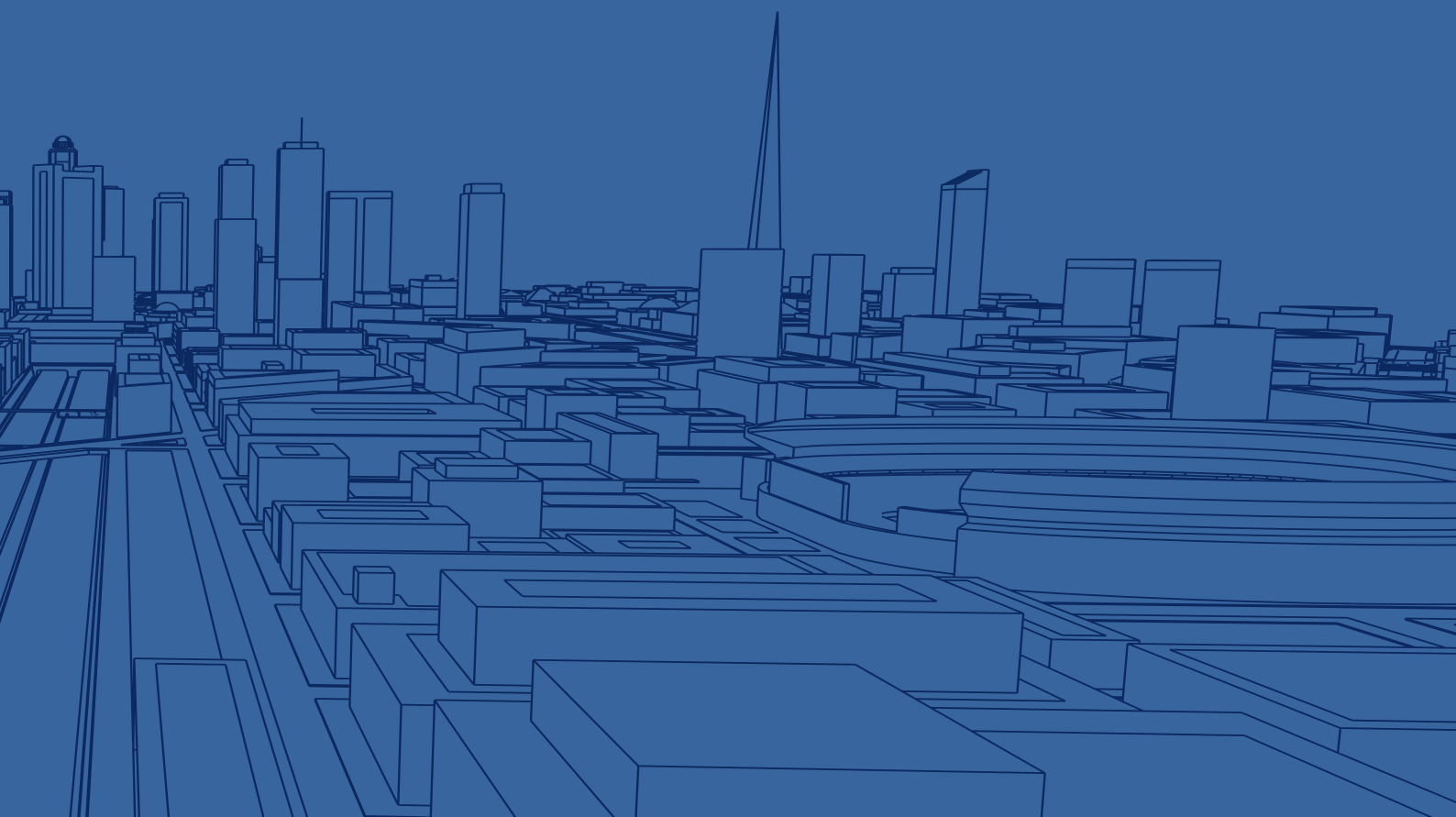
-  = Manufactured and tested with the latest ANSI Grade 1 standard.
-  = Manufactured and tested with the latest ANSI Grade 2 standard.
-  = Manufactured and tested with the latest ANSI Grade 3 standard.
-  = Complies with ADA Accessibility Guidelines.
-  = Standard cylinder.
-  = SFIC (Standard Format Interchangeable Core, optional).
-  = UL fire-rated

Table of Contents

C	Cylindrical Knobset	01-06
D	Deadbolt	07-14
G	Electronic Door Lock	15-22
H	Handleset	23-30
L	Tubular Leverset	31-46
M	Interconnected Leverset	47-50
N	EU Mortice	51-54
T	Tubular Knobset	55-64
Y	Cylindrical Leverset	65-70



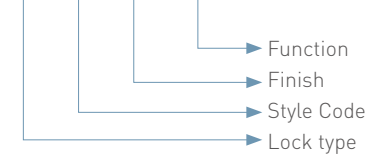
C

FAULTLESS®



Residential Cylindrical Knobset

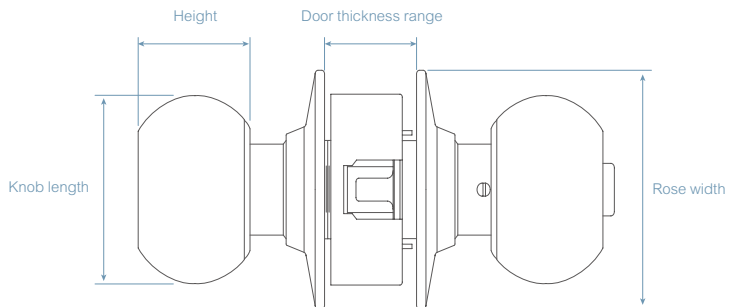
C 3 7 00



Ordering information

Lock type	Style Code	Finish	Function Code
* C	1 Royal	2 625, Satin Chrome	00 Entry Lock
	3 Saturn	6 630, Satin Stainless Steel	10 Privacy, Bedroom or Bath Lock
	6 Belle	7 605, Bright Brass	20 Patio or Privacy Lock
	8 Brandywine	8 609, Antique Brass	30 Passage or Closet Lock
	9 Seville	S 626, Satin Chrome	40 Inactive or Dummy
	F Baron	X2 619, Satin Nickel	50 Storeroom Lock
	G Hartford	X7 716, Aged Bronze	80 Classroom Lock
	S Gallo		90 Store Door Lock
	YL Chester		

*C = Cylindrical Knobset. (ANSI Grade 3)



C1600 Royal



Dimension

Height	32 mm
Knob length	Ø57 mm
Rose width	Ø65 mm
Door thickness range	35-45 mm



C3600 Saturn



Dimension

Height	37 mm
Knob length	Ø51 mm
Rose width	Ø65 mm
Door thickness range	35-45 mm



C6800 Belle



Dimension

Height	37 mm
Knob length	Ø51 mm
Rose width	Ø65 mm
Door thickness range	35-45 mm



C8700 Brandywine



► Dimension

Height	35 mm
Knob length	Ø51 mm
Rose width	Ø65 mm
Door thickness range	35-45 mm



C9600 Seville



► Dimension

Height	31 mm
Knob length	Ø54 mm
Rose width	Ø65 mm
Door thickness range	35-45 mm



CF600 Baron



► Dimension

Height	27 mm
Knob length	Ø55.8 mm
Rose width	Ø65 mm
Door thickness range	35-45 mm



▶ CGX700 Hartford



▶ Dimension

Height	27 mm
Knob length	Ø56 mm
Rose width	Ø65 mm
Door thickness range	35-45 mm



▶ CS600 Gallo



▶ Dimension

Height	35 mm
Knob length	Ø48 mm
Rose width	Ø65 mm
Door thickness range	35-45 mm



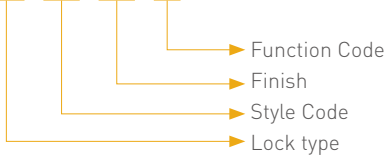
C

FAULTLESS



Commercial Cylindrical Knobset

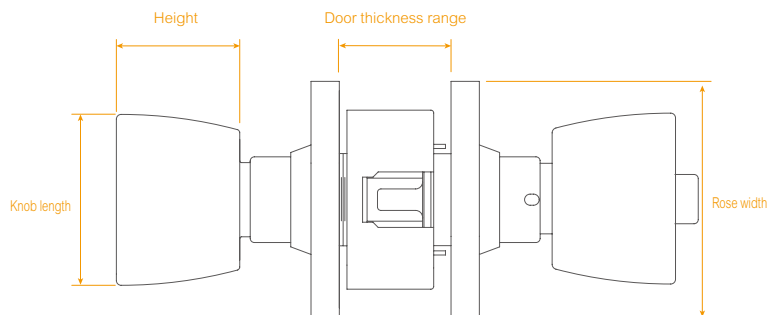
C 6 6 0 B



Ordering information

Lock type	Style Code	Finish	Function Code
* C	1 Royal	2 625, Satin Chrome	00 Entry Lock
	3 Saturn	6 630, Satin Stainless Steel	10 Privacy, Bedroom or Bath Lock
	6 Belle	7 605, Bright Brass	20 Patio or Privacy Lock
	8 Brandywine	8 609, Antique Brass	30 Passage or Closet Lock
	9 Seville	S 626, Satin Chrome	40 Inactive or Dummy
	F Baron	X2 619, Satin Nickel	50 Storeroom Lock
	G Hartford	X7 716, Aged Bronze	60 Communicating Classroom Lock
	S Gallo		80 Classroom Lock
	YL Chester		90 Store Door Lock
			9A Communicating Lock
			A0 Communicating Passage
			B0 Institution Lock

*C = Cylindrical Knobset



C160B Royal



► Dimension

Height	32 mm
Knob length	Ø58 mm
Rose width	Ø74.8 mm
Door thickness range	32-46 mm



C370B Saturn



► Dimension

Height	43 mm
Knob length	Ø55 mm
Rose width	Ø74.8 mm
Door thickness range	32-46 mm



C660B Belle



► Dimension

Height	39 mm
Knob length	Ø54 mm
Rose width	Ø74.8 mm
Door thickness range	32-46 mm



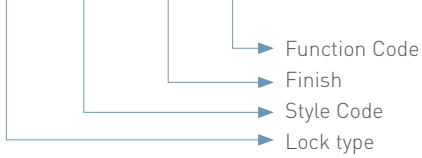
D

FAULTLESS®



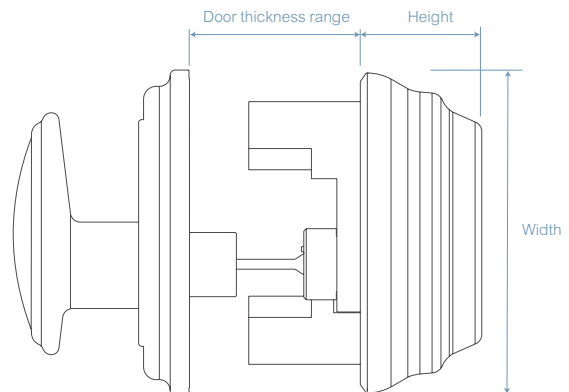
Residential Deadbolt

D A4 X2 1 S



Ordering information

Lock type	Style Code	Finish	Function Code
D	1	2 625, Satin Chrome	1 Single
	2	6 630, Satin Stainless Steel	2 Double
	5 Spin-to-Lock	7 605, Bright Brass	4 Thumbturn inside, no trim outside
	A4 Wavelet	8 609, Antique Brass	6 Thumbturn inside, blank trim outside
	S	626, Satin Chrome	
	X2	619, Satin Nickel	
	X7	716, Aged Bronze	



▶ DA4X21S Wavelet



▶ Dimension

Height	25 mm
Rose width	Ø64.8 mm
Door thickness range	35-45 mm

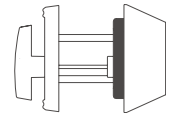


▶ DLX21



▶ Dimension

Height	25 mm
Rose width	Ø64.8 mm
Door thickness range	35-45 mm

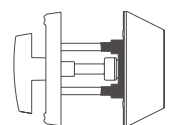


▶ D2X21



▶ Dimension

Height	23.5 mm
Rose width	Ø64.7 mm
Door thickness range	35-45 mm



▶ D5X21

Spin-to-Lock



▶ Dimension

Height	29.1 mm
Rose width	Ø70.9 mm
Door thickness range	35-45 mm





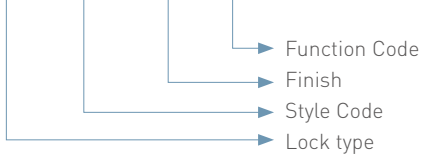
D

FAULTLESS®



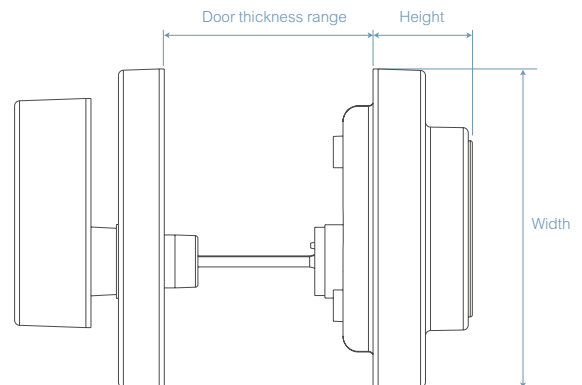
Residential Deadbolt

D A1 X2 1



Ordering information

Lock type	Style Code	Finish	Function Code
D	A1 Round	2 625, Satin Chrome	1 Single
	A2 Square	6 630, Satin Stainless Steel	2 Double
		7 605, Bright Brass	4 Thumbturn inside, no trim outside
		8 609, Antique Brass	
		S 626, Satin Chrome	
		X2 619, Satin Nickel	
		X7 716, Aged Bronze	



▶ DA1X21 Round

Contemporary series



▶ Dimension

Height	18.7 mm
Rose width	Ø62.8 mm
Door thickness range	35-45 mm



▶ DA2X21 Square

Contemporary series



▶ Dimension

Height	18.7 mm
Rose width	Ø62.8 mm
Door thickness range	35-45 mm



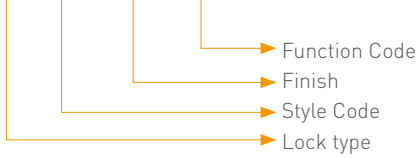
D

FAULTLESS.



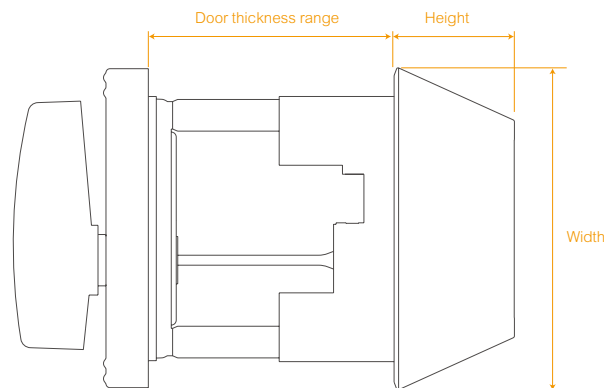
Commercial Deadbolt

D 7 X2 1



Ordering information

Lock type	Style Code	Finish	Function Code
D	7	6 630, Satin Stainless Steel	1 Single
	F	7 605, Bright Brass	2 Double
	S	626, Satin Chrome	9 Classroom
	X2	619, Satin Nickel	
	X7	716, Aged Bronze	



▶ D7X21P



▶ Dimension

Height	25 mm
Rose width	Ø64.8 mm
Door thickness range	35-45 mm



▶ D7X21



▶ Dimension

Height	25 mm
Rose width	Ø64.8 mm
Door thickness range	35-45 mm



▶ DF71



▶ Dimension

Height	25.5 mm
Rose width	Ø67 mm
Door thickness range	35-45 mm

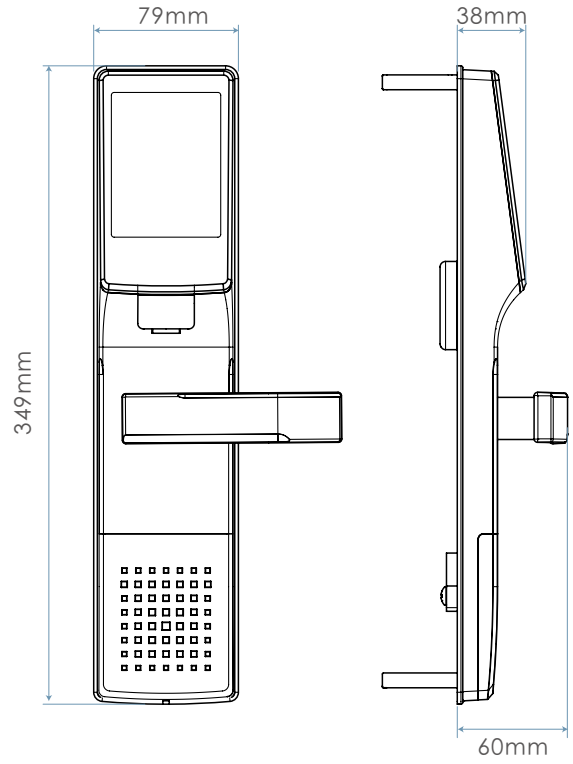


G

FAULTLESS.



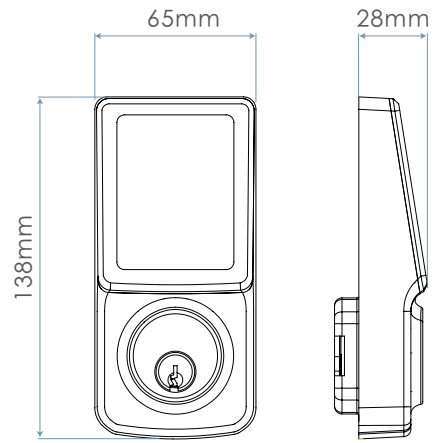
G4V1LB7C0BAA



Dimension

Door thickness range 45-85 mm

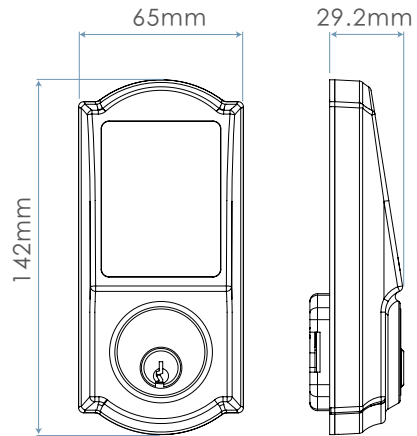
G5V2D01



Dimension
Door thickness range 35-51 mm



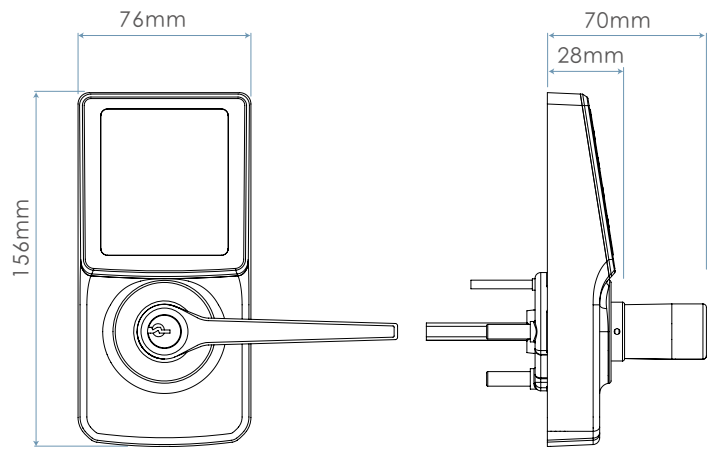
G9X7D01



Dimension
Door thickness range 35-51 mm



G5V2LED0

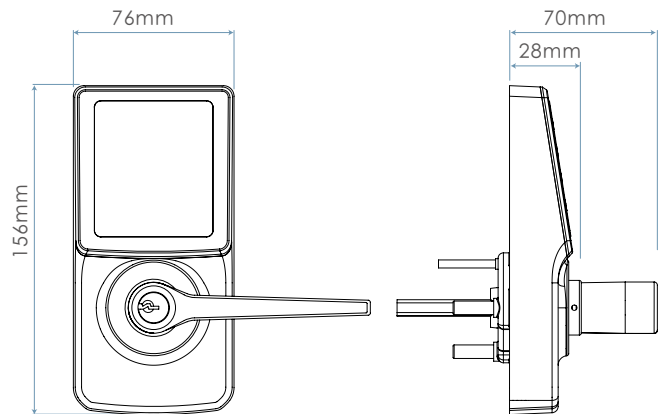


Dimension

Door thickness range 35-51 mm



G5X2LED0

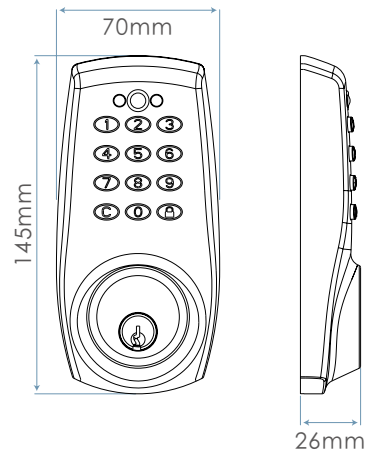


Dimension

Door thickness range 35-51 mm



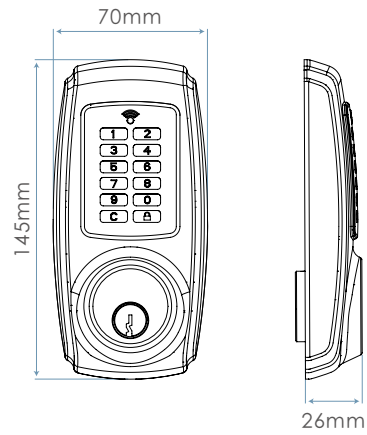
G17D01



Dimension
Door thickness range 35-51 mm



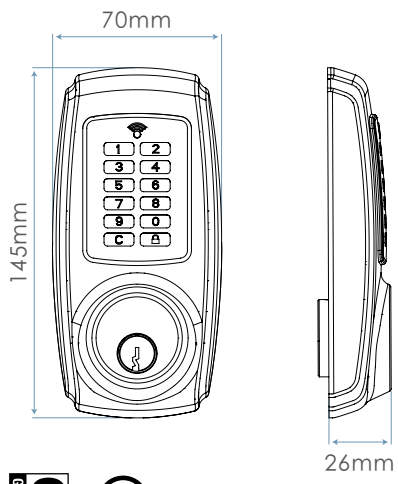
G2SD01



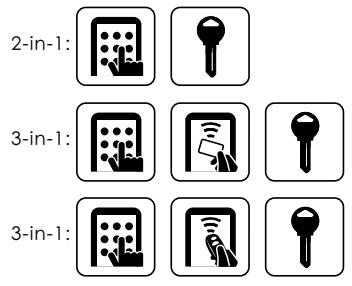
Dimension
Door thickness range 35-51 mm



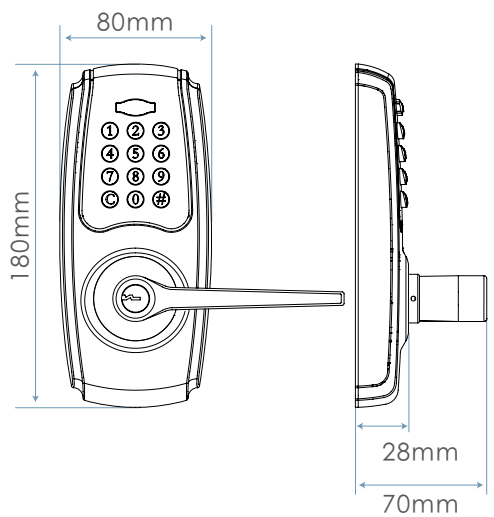
G2SD01



Dimension
Door thickness range 35-51 mm



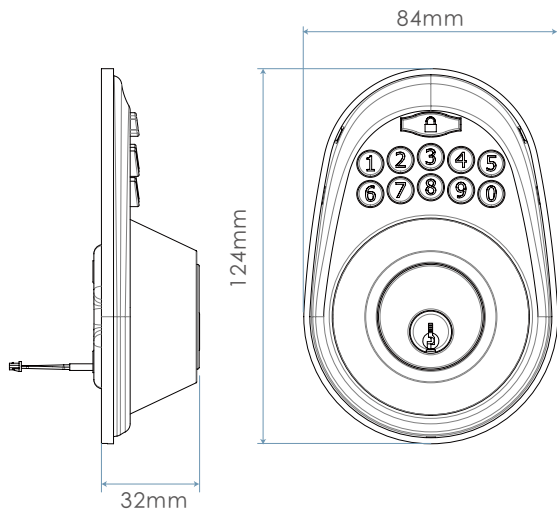
G28LED0



Dimension
Door thickness range 35-51 mm



G6X2DW1AAXD



Dimension

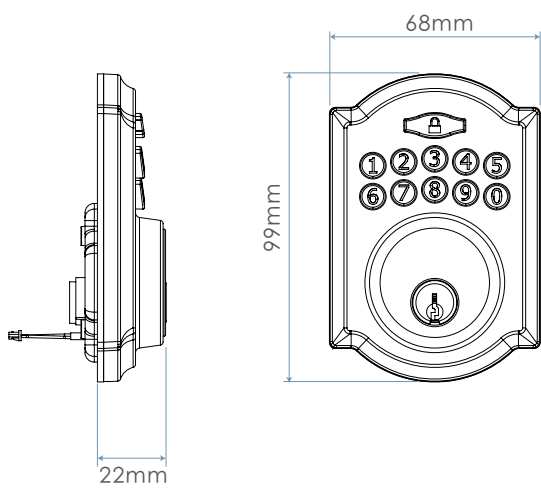
Door thickness range 35-51 mm



2-in-1:



G7X7D01AAP



Dimension

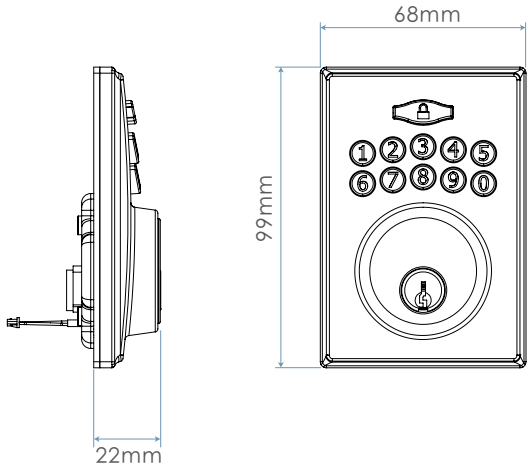
Door thickness range 35-51 mm



2-in-1:



G8X7D01AAP



Dimension

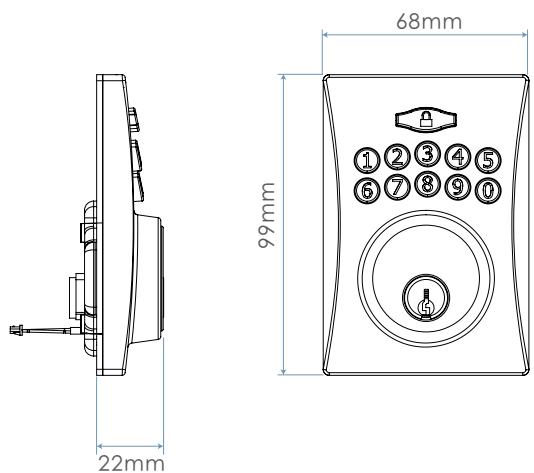
Door thickness range 35-51 mm



2-in-1:



GCX2D01AAP



Dimension

Door thickness range 35-51 mm



2-in-1:







H

FAULTLESS®



H P X2 3 1 B

- Function Code
- Knob/Lever Style
- Finish Code
- Style Code
- Lock type

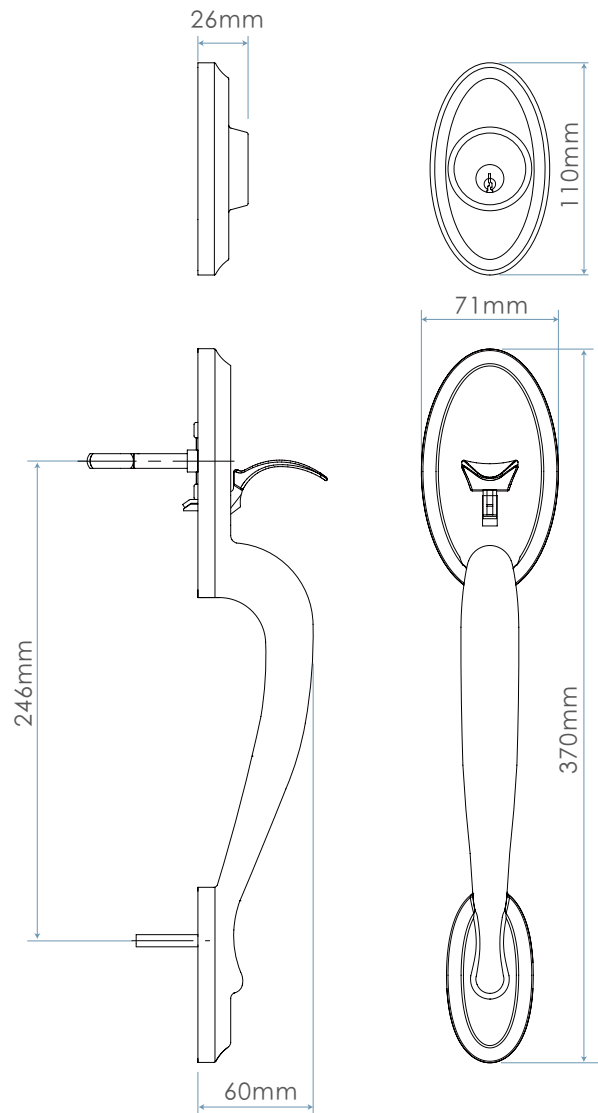


Ordering information

Lock type	Style Code	Finish	Knob/Lever Style	Function Code	
H	5 Riviera	2 625, Satin Chrome	Please refer to Knobset and Leverset pages.	1 Single	
	7 Dixon	6 630, Satin Stainless Steel		2 Double	
	C Springfield	7 605, Bright Brass			
	J Excalibur	8 609, Antique Brass			
	M Alexander	S 626, Satin Chrome			
	P Vancouver	X2 619, Satin Nickel			
	Y7 Lexington	X7 716, Aged Bronze			

HJX231B

Excalibur



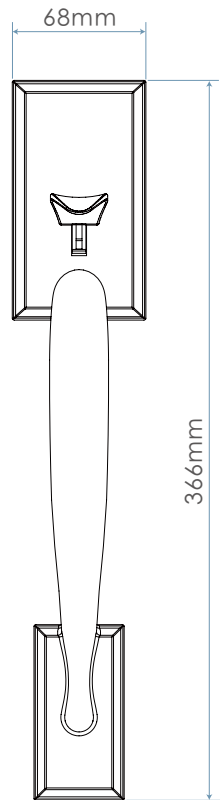
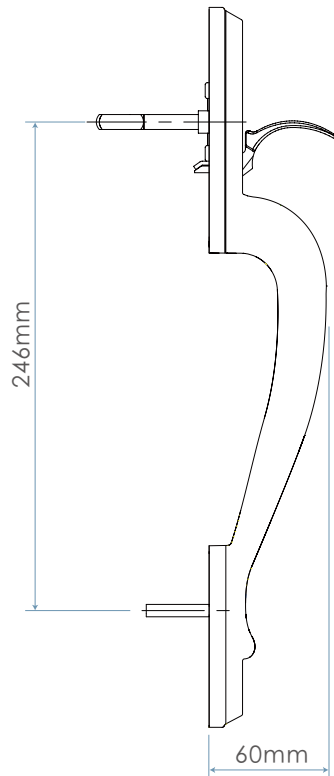
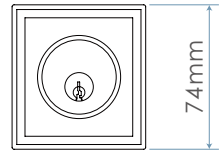
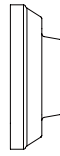
GRADE 2
ANSI

GRADE 3
ANSI

▶ HMX231B Alexander

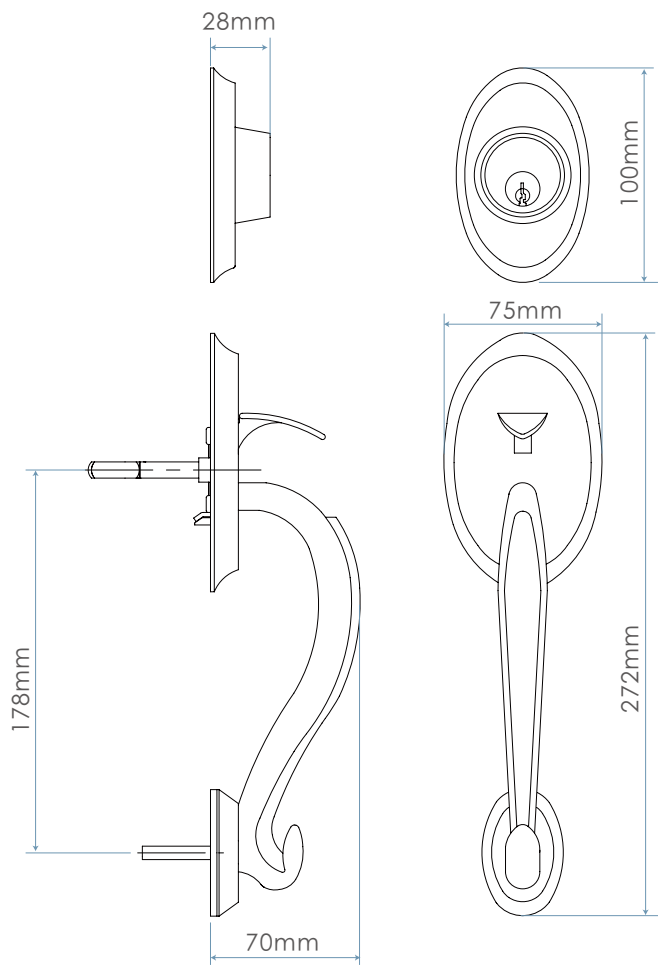


26mm



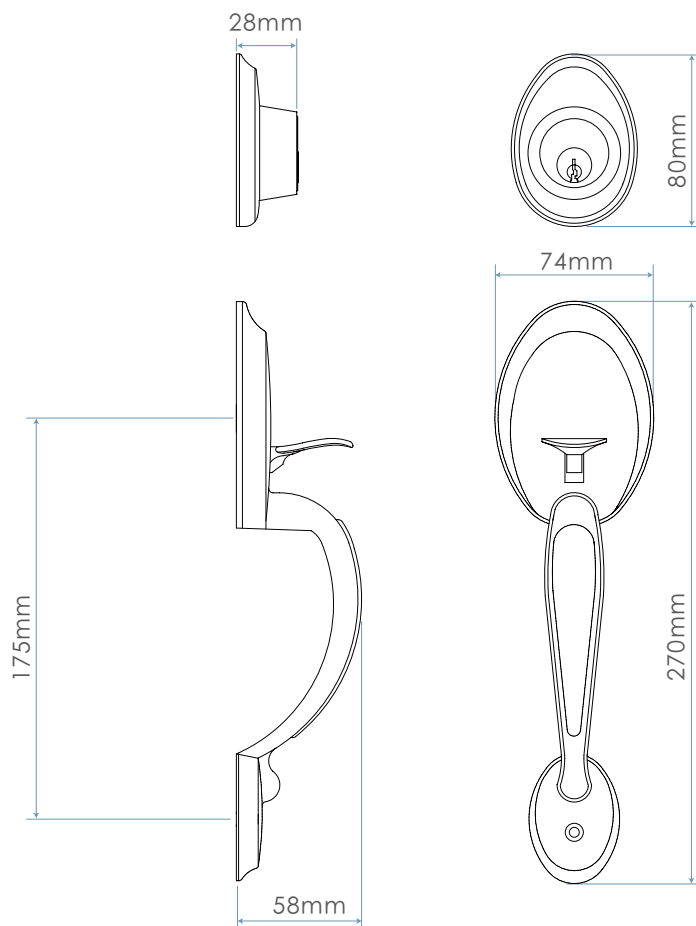
GRADE 2
ANSI

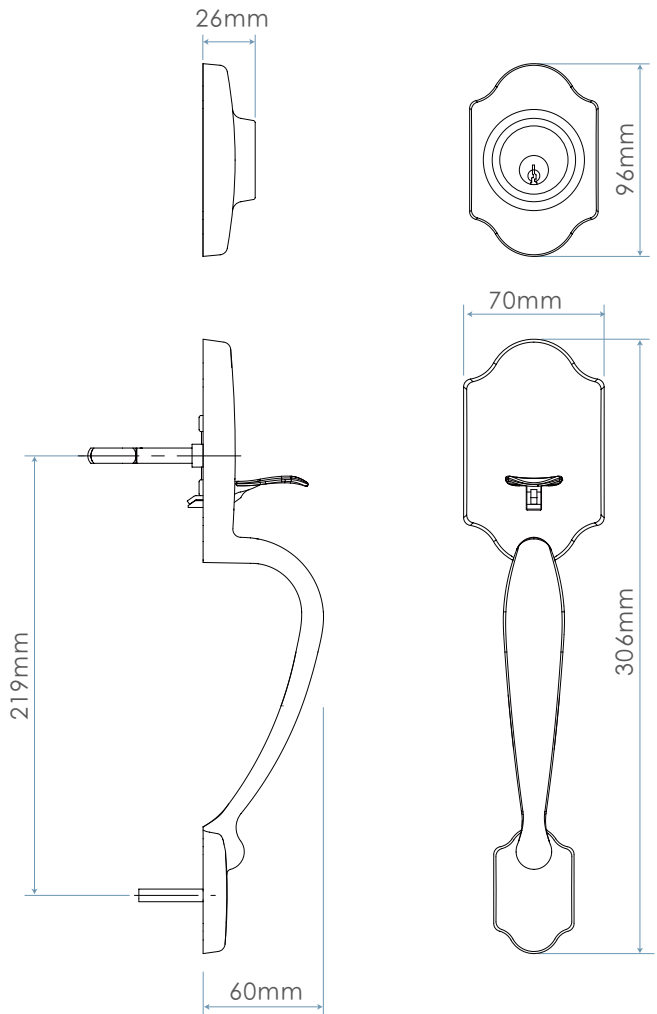
GRADE 3
ANSI



H78H1

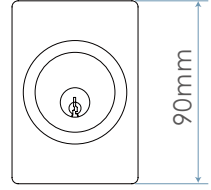
Dixon



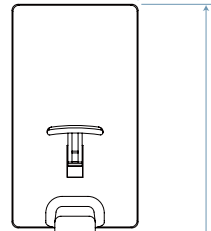




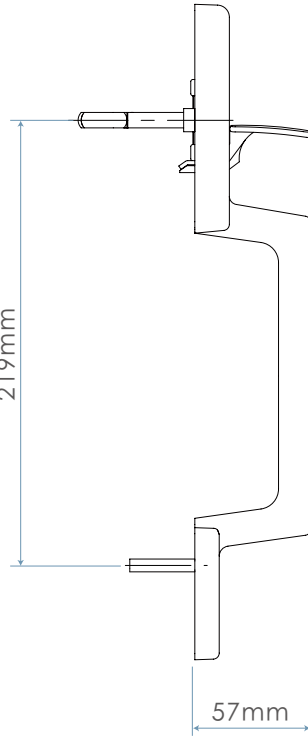
26mm



62mm

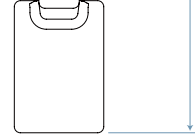


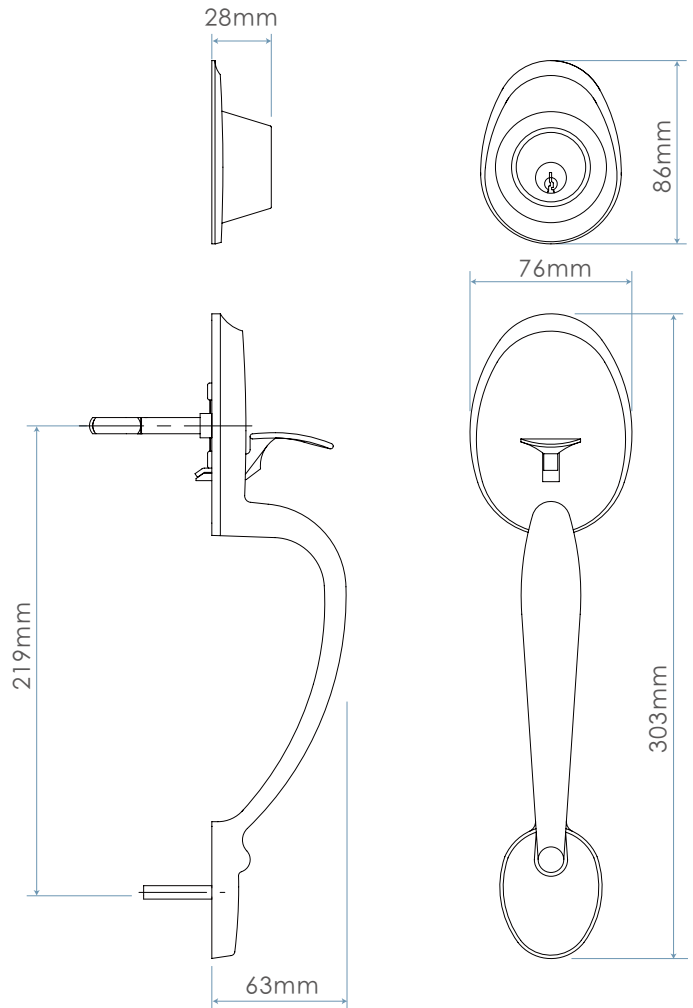
219mm



57mm

323mm

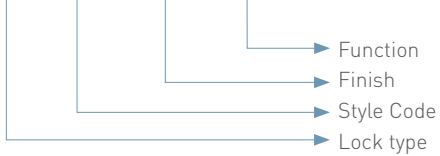






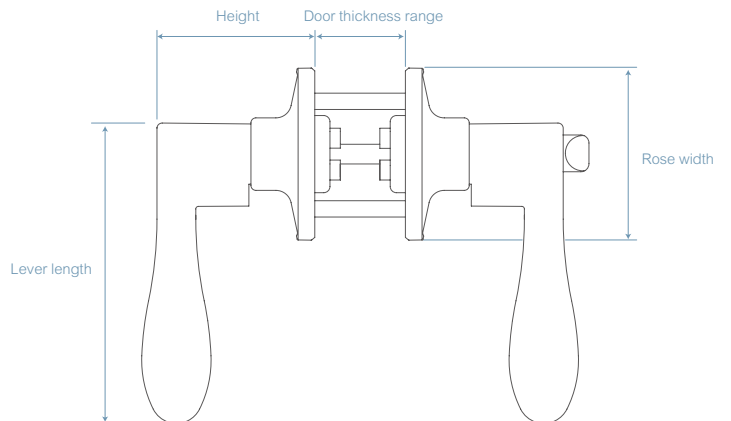
Residential Tubular Leverset

L YE X2 00 B



Ordering information

Lock type	Style Code	Finish	Function Code
* L	6 Savannah	2 625, Satin Chrome	00 Entry Lock
	A Newbury	6 630, Satin Stainless Steel	10 Privacy, Bedroom or Bath Lock
	A7 Olivia	7 605, Bright Brass	30 Passage or Closet Lock
	A8 Lennox	8 609, Antique Brass	40 Inactive or Dummy
	B6 Zacoti	S 626, Satin Chrome	50 Storeroom Lock
	C2 Brighton	X2 619, Satin Nickel	F0 Entry Lock with Auto-release
	E Parallel	X7 716, Aged Bronze	G0 Privacy Lock with Auto-release
	G Olympic		
	H Florence		
	N Denver		
	R Rovigo		
	U Calypso		
	V Viano		
	YE Naples		
YP Ducati			



specification

▶ L6800B Savannah



▶ Dimension

Height	60.9 mm
Lever length	108.7 mm
Rose width	Ø66.4 mm
Door thickness range	35-45 mm



▶ LAX700B Newbury



▶ Dimension

Height	68.7 mm
Lever length	134.5 mm
Rose width	Ø66.4 mm
Door thickness range	35-45 mm



▶ LA7X200B Olivia



▶ Dimension

Height	62.3 mm
Lever length	116.2 mm
Rose width	Ø66.4 mm
Door thickness range	35-45 mm



▶ LA8X200B Lennox



▶ Dimension

Height	60.8 mm
Lever length	117.6 mm
Rose width	Ø66.4 mm
Door thickness range	35-45 mm



▶ LB6700B Zacoti



▶ Dimension

Height	60.9 mm
Lever length	119.4 mm
Rose width	Ø66.4 mm
Door thickness range	35-45 mm



▶ LC2X200B Brighton



▶ Dimension

Height	66.8 mm
Lever length	118.5 mm
Rose width	Ø66.4 mm
Door thickness range	35-45 mm



▶ LEX200B Parallel



▶ Dimension

Height	60.9 mm
Lever length	122 mm
Rose width	Ø66.4 mm
Door thickness range	35-45 mm



▶ LGX200B Olympic



▶ Dimension

Height	61.8 mm
Lever length	102 mm
Rose width	Ø66.4 mm
Door thickness range	35-45 mm



▶ LH700B Florence



▶ Dimension

Height	61.7 mm
Lever length	118.5 mm
Rose width	Ø66.4 mm
Door thickness range	35-45 mm



▶ LNX200B Denver



▶ Dimension

Height	61 mm
Lever length	119.6 mm
Rose width	Ø66.4 mm
Door thickness range	35-45 mm



▶ LRX200B Rovigo



▶ Dimension

Height	64.4 mm
Lever length	117.5 mm
Rose width	Ø66.4 mm
Door thickness range	35-45 mm



▶ LUX200B Calypso



▶ Dimension

Height	61.8 mm
Lever length	106 mm
Rose width	Ø66.4 mm
Door thickness range	35-45 mm



▶ LVX700B Viano



▶ Dimension

Height	60.9 mm
Lever length	113.3 mm
Rose width	Ø66.4 mm
Door thickness range	35-45 mm



▶ LYEX200B Naples



▶ Dimension

Height	66.9 mm
Lever length	116 mm
Rose width	Ø66.4 mm
Door thickness range	35-45 mm



▶ LYP700B Ducati



▶ Dimension

Height	65.5 mm
Lever length	119 mm
Rose width	Ø66.4 mm
Door thickness range	35-45 mm

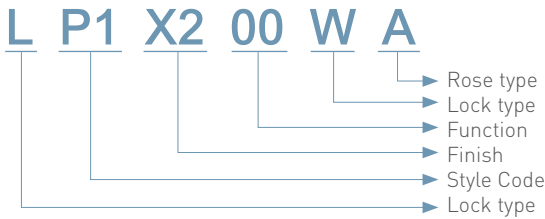




FAULTLESS®



Residential Tubular Leverset



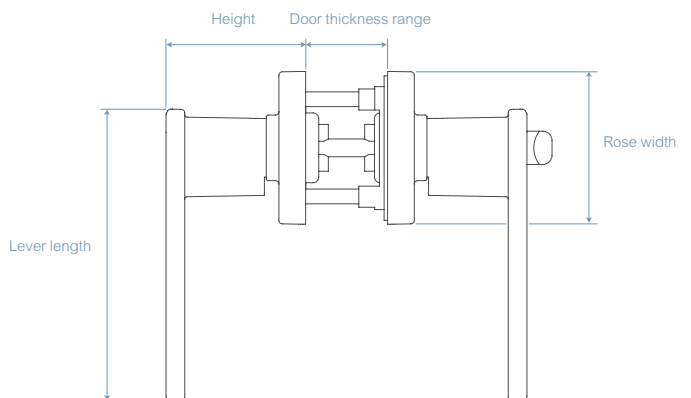
Ordering information

Lock type	Style Code	Finish	Function Code(Clutch mechanism)	Lock type	Rose type
* L	P1 Westwood	2 625, Satin Chrome	00 Entry Lock	* W	* A * C
	P2 Pico	6 630, Satin Stainless Steel	10 Privacy, Bedroom or Bath Lock		
	P3 Maidstone	S 626, Satin Chrome	30 Passage or Closet Lock		
		X2 619, Satin Nickel	40 Inactive or Dummy		
		X7 716, Aged Bronze	50 Storeroom Lock		
			FJ Entry Lock with Auto-release, Push-button		
			GJ Privacy Lock with Auto-release, Push-button		

*W = Keyed Contemporary

*A = Square Rose

*C = Round Rose



specification

▶ LP1X200WA Westwood



▶ Dimension

Height	59.6 mm
Lever length	124.8 mm
Rose width	Ø65.2 mm
Door thickness range	35-45 mm



▶ LP2S00WC Pico



▶ Dimension

Height	59.6 mm
Lever length	120 mm
Rose width	Ø66.7 mm
Door thickness range	35-45 mm



▶ LP3200WC Maidstone



▶ Dimension

Height	62.8 mm
Lever length	120 mm
Rose width	Ø66.7 mm
Door thickness range	35-45 mm



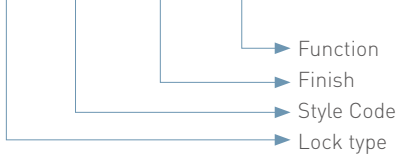


FAULTLESS®



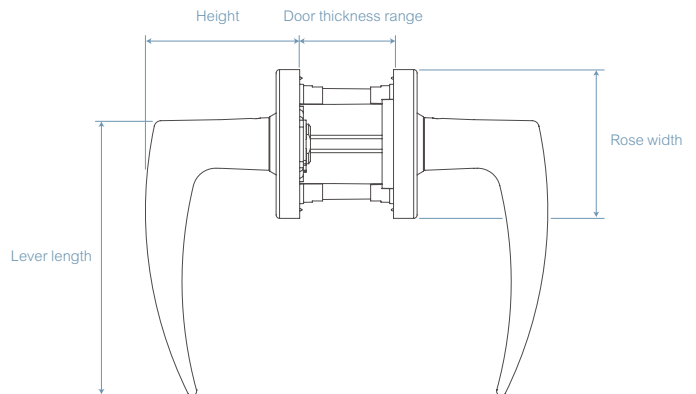
Residential Tubular Leverset

L A1 X2 0G P



Ordering information

Lock type	Style Code	Finish	Function Code
L	A1 Nova	2 625, Satin Chrome	G0 Privacy, Bedroom or Bath Lock
	A2 Pulsar	6 630, Satin Stainless Steel	30 Passage or Closet Lock
	A3 Altar	S 626, Satin Chrome	40 Inactive or Dummy
	A4 Orion	X2 619, Satin Nickel	
	A5 Lynx	X7 716, Aged Bronze	
	A6 Dove		
	B1 Maidstone		
	B2 Huntingdon		
	YU Nano		
	YV Pico		
YW Belle			



specification

▶ LA1S0GP Nova



▶ Dimension

Height	67.4 mm
Lever length	121.5 mm
Rose width	Ø65 mm
Door thickness range	35-45 mm



▶ LA2S0GP Pulsar



▶ Dimension

Height	67.4 mm
Lever length	113.5 mm
Rose width	Ø65 mm
Door thickness range	35-45 mm



▶ LA3S0GP Altar



▶ Dimension

Height	65.1 mm
Lever length	119.8 mm
Rose width	Ø65 mm
Door thickness range	35-45 mm



▶ LA4X20GP Orion



▶ Dimension

Height	64.8 mm
Lever length	117.5 mm
Rose width	Ø65 mm
Door thickness range	35-45 mm



▶ LA5X20GP Lynx



▶ Dimension

Height	63.8 mm
Lever length	136.2 mm
Rose width	Ø65 mm
Door thickness range	35-45 mm



▶ LA6X20GP Dove



▶ Dimension

Height	66.3 mm
Lever length	126.5 mm
Rose width	Ø65 mm
Door thickness range	35-45 mm



▶ LB1X20GP Maidstone



▶ Dimension

Height	61.7 mm
Lever length	121.5 mm
Rose width	Ø65 mm
Door thickness range	35-45 mm



▶ LB2X20GP Huntingdon



▶ Dimension

Height	65.2 mm
Lever length	118.1 mm
Rose width	Ø65 mm
Door thickness range	35-45 mm



▶ LYUX20GP Nano



▶ Dimension

Height	65.1 mm
Lever length	121.9 mm
Rose width	Ø65 mm
Door thickness range	35-45 mm



▶ LYVS0GP Pico



▶ Dimension

Height	69.8	mm
Lever length	120	mm
Rose width	Ø65	mm
Door thickness range	35-45	mm



▶ LYWS0GP Belle



▶ Dimension

Height	62.9	mm
Lever length	125	mm
Rose width	Ø65	mm
Door thickness range	35-45	mm





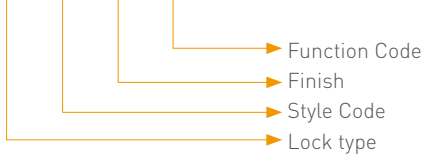
L

FAULTLESS



Commercial Tubular Leverset

L 3 S 0 B



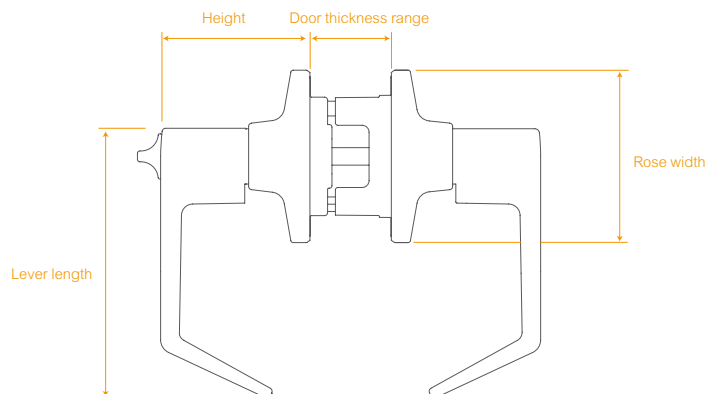
Ordering information

Lock type	Style Code	Finish	Function Code (Clutch mechanism)
L	3 Calypso	2 625, Satin Chrome	00 Entry Lock
	F Fairford	6 630, Satin Stainless Steel	10 Privacy, Bedroom or Bath Lock
	N Denver	7 605, Bright Brass	F0 Entry Lock with Auto-release
		8 609, Antique Brass	G0 Privacy Lock with Auto-release
		S 626, Satin Chrome	30 Passage or Closet Lock
		X2 619, Satin Nickel	40 Inactive or Dummy
		X7 716, Aged Bronze	50 Storeroom Lock
		A13 Matte Black	60 Communicating Classroom Lock
			80 Classroom Lock
			90 Store Door Lock
		A0 Communicating Passage Lock	
		E0 Entry Lock	
		H0 Dummy, both exterior and interior	

*B = concealed fixed rose

*C = face fixed rose

*D = Interchangeable Core of B



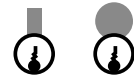
specification

L3S0B Calypso



► Dimension

Height	64.8 mm
Lever length	116.9 mm
Rose width	Ø74.8 mm
Door thickness range	35-45 mm

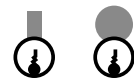


LNS0B Denver



► Dimension

Height	64.8 mm
Lever length	119.3 mm
Rose width	Ø74.8 mm
Door thickness range	35-45 mm



LVX20B Viano



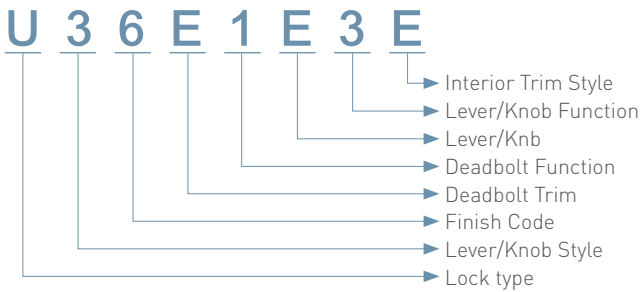
► Dimension

Height	64.7 mm
Lever length	113.3 mm
Rose width	Ø74.8 mm
Door thickness range	35-45 mm



M

FAULTLESS®

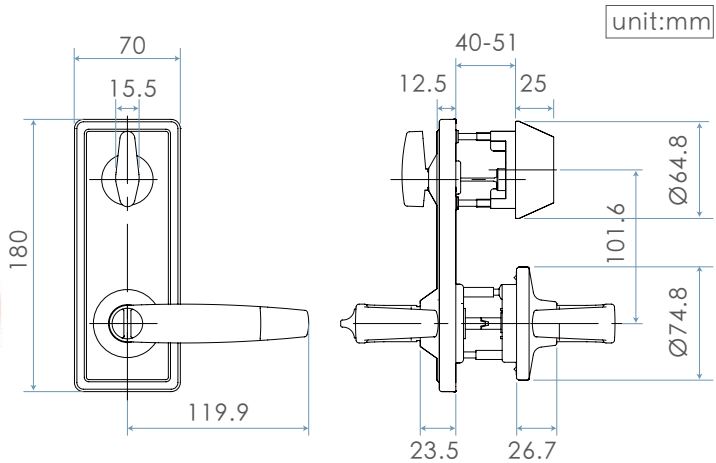


Ordering information

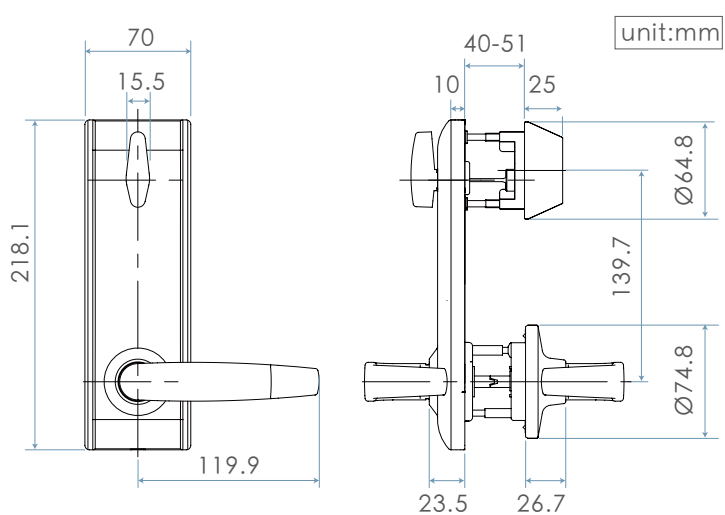
Lock type	Style Code	Finish	Deadbolt Trim	Deadbolt Function	Lever/Knob	Lever/Knob Function	Interior Trim Style
U	3 Calypso	2 625, Satin Chrome	E	1 Single	E Lever P Knob	3 Passage F Emergency egress	1 with 4" center to center
	N Denver	6 630, Satin Stainless Steel		2 Double			C with 5-1/2" center to center
	S 626, Satin Chrome						E with 5-1/2" center to center
	X2 619, Satin Nickel						
	X7 716, Aged Bronze						

specification

▶ U3X2E1EF1



▶ U3X2E1E3E

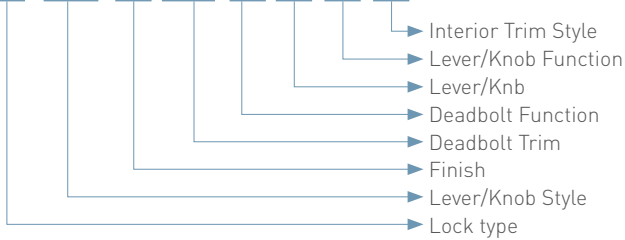


M

FAULTLESS®



U YU 2 A2 1 E 3 A XB

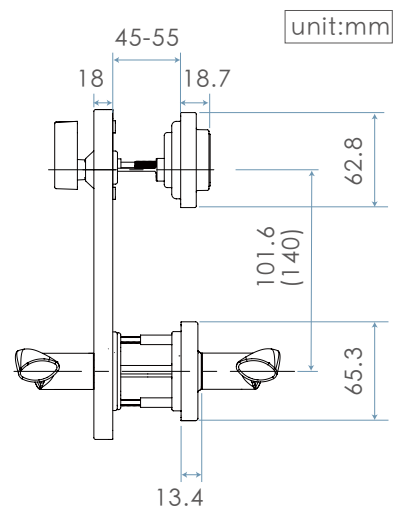
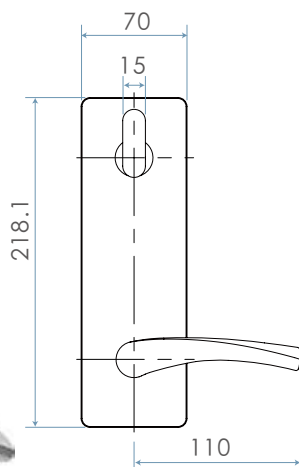


Ordering information

Lock type	Style Code	Finish	Deadbolt Trim	Deadbolt Function	Lever/Knob	Lever/Knob Function	Interior Trim Style
U	A1 Nova	2 625, Satin Chrome	A2 Square, 5-pin	1 Single	E Lever	3 Passage	2 with 4" center to center
	A2 Pulsar	S 626, Satin Chrome	B3 Square, 6-pin	2 Double			A with 5-1/2" center to center
	A3 Altar	X2 619, Satin Nickel					
	A4 Orion	X7 716, Aged Bronze					
	A5 Lynx						
	A6 Dove						
	B1 Maidstone						
	B2 Huntingdon						
	YU Nano						
	YV Pico						
YW Belle							

specification

UYU2A21E3AXB



unit:mm

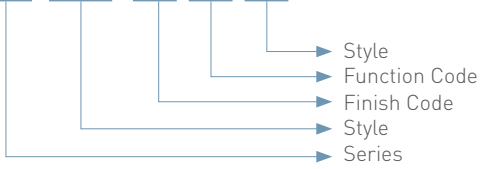


N

FAULTLESS®



K NB 6 A 3 B



Ordering information

Series	Style	Finish	Function Code	Style
K	*NB	6 630, Satin Stainless Steel	A Mortice Sash lock B Mortice Deadlocks C Bathroom Lock D Passage Lock E Mortice Nightlatch F Mortice Cylinder Sashlock & Apartment Lock	3 Certification code for NB

*NB=mortice

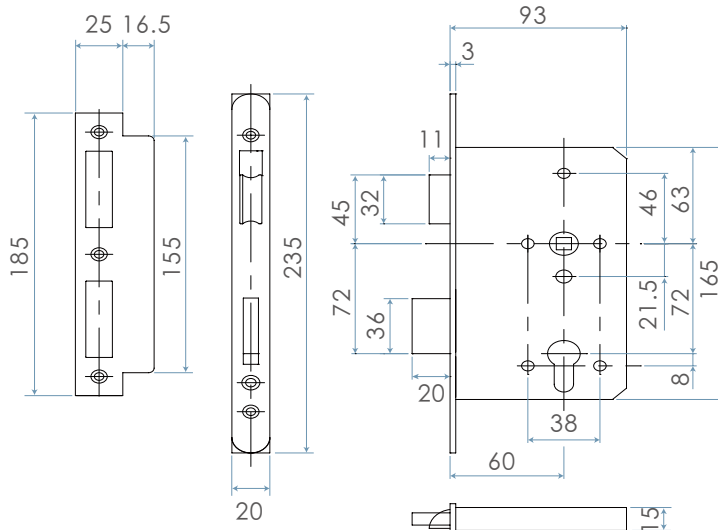
*3 =EN mortice lock case

specification

► KNB6A3B



unit:mm

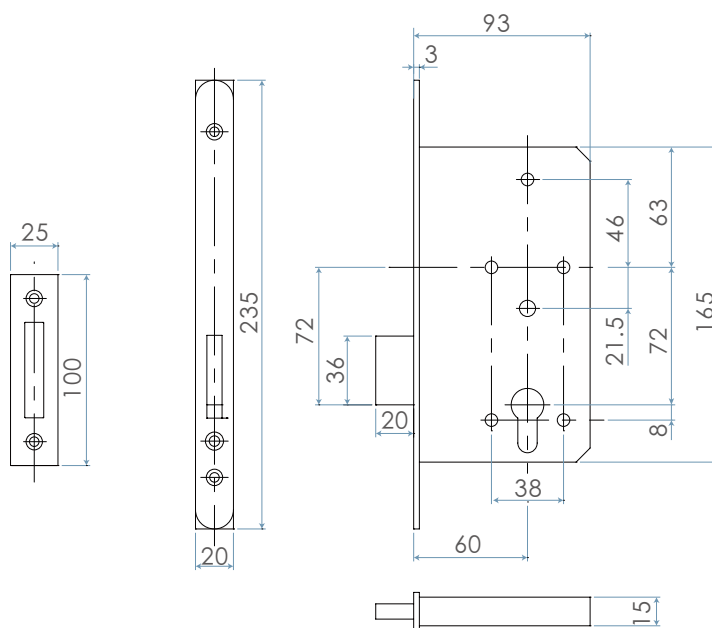


DIN DIN 18251
CE EN 12209:2003
CE EN 1634

► KNB6B3B



unit:mm

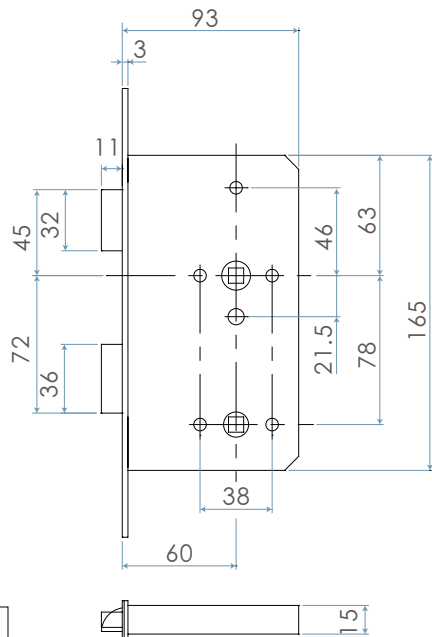
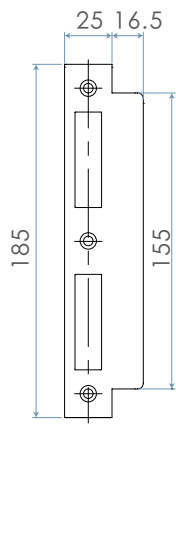


DIN DIN 18251
CE EN 12209:2003
CE EN 1634

▶ KNB6C3B



unit:mm

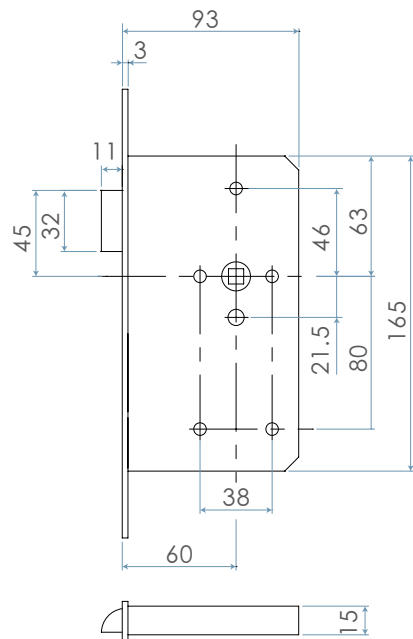
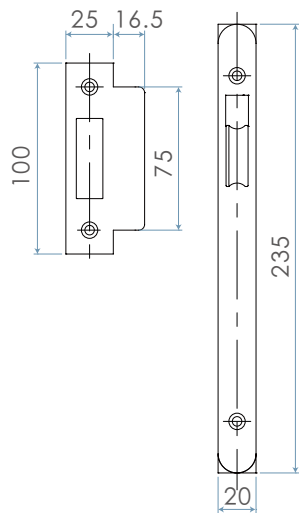


- DIN** DIN 18251
- CE** EN 12209:2003
- CE** EN 1634

▶ KNB6D3B



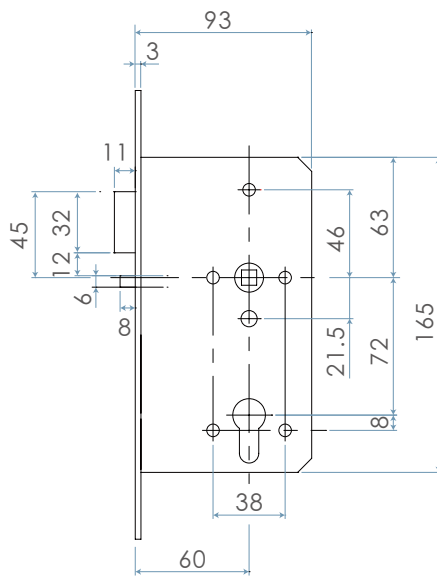
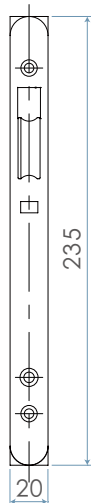
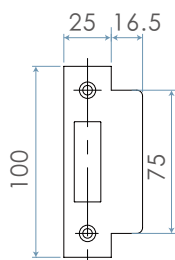
unit:mm



- DIN** DIN 18251
- CE** EN 12209:2003
- CE** EN 1634

▶ KNB6E3B

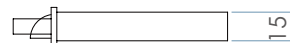
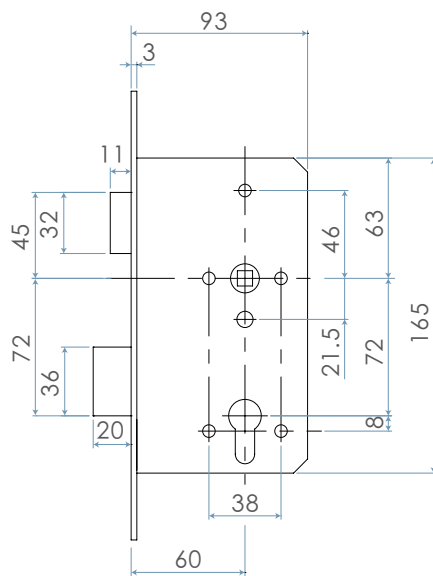
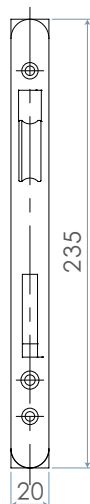
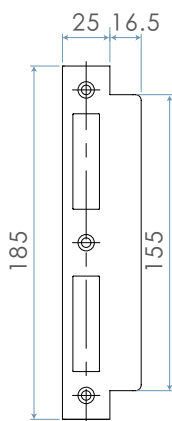
unit:mm



DIN DIN 18251
CE EN 12209:2003
CE EN 1634

▶ KNB6F3B

unit:mm



DIN DIN 18251
CE EN 12209:2003
CE EN 1634

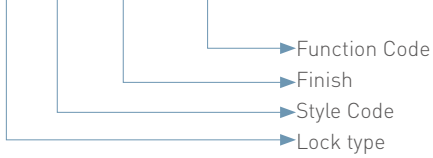
T

FAULTLESS®



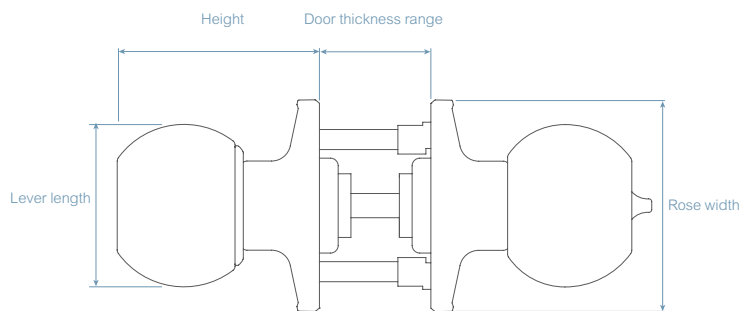
Residential Tubular Knobset

T 1 X2 00 B



Ordering information

Lock type	Style Code	Finish	Function Code
T	1 Royal	2 625, Satin Chrome	0 Entry Lock
	3 Saturn	6 630, Satin Stainless Steel	1 Privacy, Bedroom or Bath Lock
	6 Belle	7 605, Bright Brass	3 Passage or Closet Lock
	8 Brandywine	8 609, Antique Brass	4 Inactive or Dummy
	9 Seville	S 626, Satin Chrome	5 Storeroom Lock
	F Baron	X2 619, Satin Nickel	6 Communicating Classroom Lock
	G Hartford	X7 716, Aged Bronze	8 Classroom Lock
	S Gallo		9 Store Door Lock
	YL Chester		A Communicating Passage Lock
			E Entry Lock, emergency egress
		F Entry Lock, auto-release	
		G Privacy, Bedroom or Bath Lock	



specification

T1X200B Royal



► Dimension

Height	61.9 mm
Knob length	Ø57.5 mm
Rose width	Ø66.4 mm
Door thickness range	35-45 mm



T3X200B Saturn



► Dimension

Height	63.5 mm
Knob length	Ø51 mm
Rose width	Ø66.4 mm
Door thickness range	35-45 mm



T4X200B Bolton



► Dimension

Height	60 mm
Knob length	Ø57.9 mm
Rose width	Ø66.4 mm
Door thickness range	35-45 mm



▶ T6X200B

Belle



▶ Dimension

Height	63.9 mm
Knob length	Ø50 mm
Rose width	Ø66.4 mm
Door thickness range	35-45 mm



▶ T8700B

Brandywine



▶ Dimension

Height	62.6 mm
Knob length	Ø51 mm
Rose width	Ø66.4 mm
Door thickness range	35-45 mm



▶ T9X200B

Seville



▶ Dimension

Height	61.5 mm
Knob length	Ø52.8 mm
Rose width	Ø66.4 mm
Door thickness range	35-45 mm



▶ TFX200B

Baron



▶ Dimension

Height	60 mm
Knob length	Ø55.8 mm
Rose width	Ø66.4 mm
Door thickness range	35-45 mm



▶ TGX700B

Hartford



▶ Dimension

Height	60.5 mm
Knob length	Ø55.8 mm
Rose width	Ø66.4 mm
Door thickness range	35-45 mm



▶ TSX700B

Gallo



▶ Dimension

Height	61.7 mm
Knob length	Ø48 mm
Rose width	Ø66.4 mm
Door thickness range	35-45 mm



TYL700B Chester



Dimension

Height	63.5 mm
Knob length	Ø62.5 mm
Rose width	Ø66.4 mm
Door thickness range	35-45 mm





T

FAULTLESS®



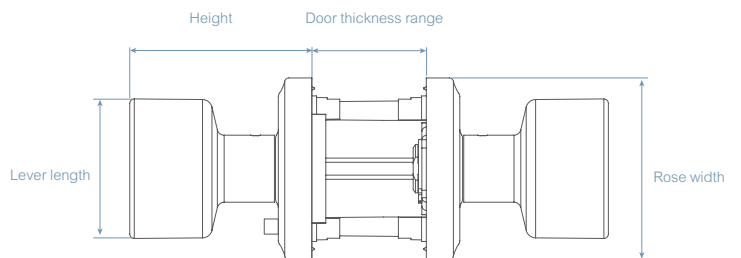
Residential Tubular Knobset

T 5 X2 G0 P



Ordering information

Lock type	Style Code	Finish	Function Code
T	5 Round	2 625, Satin Chrome	G0 Privacy, Bedroom or Bath Lock
		6 630, Satin Stainless Steel	30 Passage or Closet Lock
		S 626, Satin Chrome	40 Inactive or Dummy
		X2 619, Satin Nickel	
		X7 716, Aged Bronze	



specification

T5X2G0P

Norwich (Rose 0B)



Dimension

Height	65.2 mm
Knob length	Ø50 mm
Rose width	65.3 mm
Door thickness range	35-45 mm



T5X2G0P

Norwich (Rose 0A)



Dimension

Height	65.2 mm
Knob length	Ø50 mm
Rose width	Ø65 mm
Door thickness range	35-45 mm



T5X2G0P

Norwich (Rose 0V)



Dimension

Height	65.2 mm
Knob length	Ø50 mm
Rose width	Ø65 mm
Door thickness range	35-45 mm



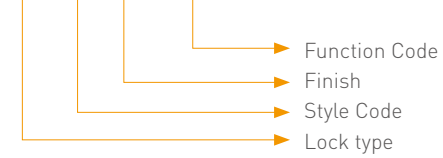
T

FAULTLESS



Commercial Tubular Knobset

T 1 S F B



Ordering information

Lock type	Style Code	Finish	Function Code
T	1 Royal	6 630, Satin Stainless Steel	F Entry Lock
	3 Saturn	7 605, Bright Brass	G Privacy, Bedroom or Bath Lock
	6 Belle	8 609, Antique Brass	3 Passage or Closet Lock
		S 626, Satin Chrome	4 Inactive or Dummy
	X2 619, Satin Nickel	5 Storeroom Lock	
	X7 716, Aged Bronze	8 Classroom Lock	
		A Communicating Passage Lock	
		E Entry Lock	



specification

T1S0B

Royal



Dimension

Height	66.8 mm
Knob length	Ø58 mm
Rose width	Ø74.8 mm
Door thickness range	35-45 mm



T3S0B

Saturn



Dimension

Height	69.9 mm
Knob length	Ø55 mm
Rose width	Ø74.8 mm
Door thickness range	35-45 mm



T6S0B

Belle



Dimension

Height	70 mm
Knob length	Ø54 mm
Rose width	Ø74.8 mm
Door thickness range	35-45 mm



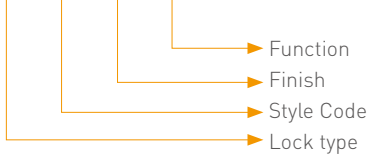
Y

FAULTLESS.



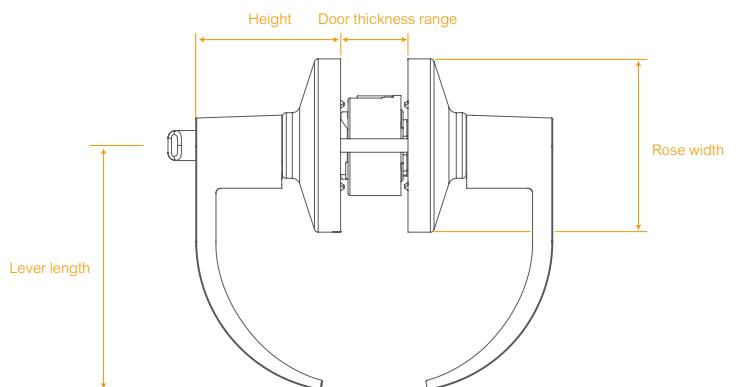
Commercial Cylindrical Lever set

Y 1 S D A



Ordering information

Lock type	Style Code	Finish	Function Code
Y	1 Hanover	2 625, Satin Chrome	D Entry Lock, clutch
	3 Calypso	6 630, Satin Stainless Steel	S Storeroom or Closet Lock, clutch
	F Fairford	7 605, Bright Brass	R Classroom Lock, clutch
	N Denver	8 609, Antique Brass	3 Passage or Closet Lock
		S 626, Satin Chrome	4 Inactive Lever
		X2 619, Satin Nickel	K Communicating Lock
		X7 716, Aged Bronze	P Utility, Asylum or Institutional Lock
			Q Corridor
			T Privacy, Bedroom or Bath Lock



specification

▶ Y1S0A

Hanover



▶ Dimension

Height	75 mm
Lever length	127 mm
Rose width	Ø90 mm
Door thickness range	35-57 mm



▶ Y3S0A

Calypso



▶ Dimension

Height	75 mm
Lever length	127 mm
Rose width	Ø90 mm
Door thickness range	35-57 mm



▶ YFS0A

Fairford



▶ Dimension

Height	75 mm
Lever length	115 mm
Rose width	Ø90 mm
Door thickness range	35-57 mm



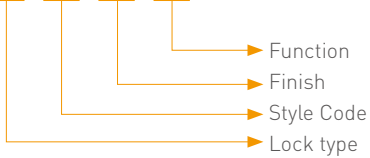
Y

FAULTLESS



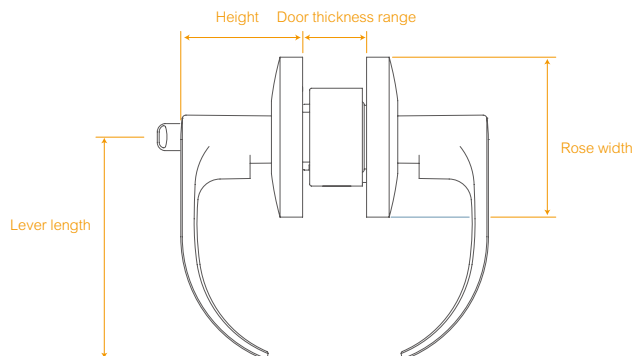
Commercial Cylindrical Leverset

Y 1 S D C Z



Ordering information

Lock type	Style Code	Finish	Function Code
Y	1 Hanover	2 625, Satin Chrome	D Entry Lock, clutch
	3 Calypso	6 630, Satin Stainless Steel	S Storeroom or Closet Lock, clutch
	F Fairford	7 605, Bright Brass	R Classroom Lock, clutch
	N Denver	8 609, Antique Brass	0 Entry Lock
		S 626, Satin Chrome	1 Privacy, Bedroom, or Bath Lock
		X2 619, Satin Nickel	2 Patio or Privacy Lock
		X7 716, Aged Bronze	3 Passage or Closet Latch
			4 Inactive or Dummy
			5 Storeroom Lock
			6 Communicating Classroom Lock
		8 Classroom Lock	
		9 Store Door Lock	
		A Communicating Passage Lock	
		B Institution lock	
		H Dummy, both exterior and interior	
		K Communicating Lock	
		P Utility, Asylum or Institutional Lock	
		Q Corridor	
		T Privacy, Bedroom or Bath Lock	



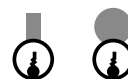
specification

▶ Y1SDCZ Hanover



▶ Dimension

Height	60-66 mm
Lever length	117 mm
Rose width	Ø85 mm
Door thickness range	35-46 mm

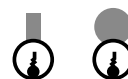


▶ Y3SDCZ Calypso



▶ Dimension

Height	60-66 mm
Lever length	118 mm
Rose width	Ø85 mm
Door thickness range	35-46 mm

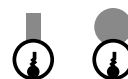


▶ YFSDCZ Fairford



▶ Dimension

Height	60-66 mm
Lever length	118 mm
Rose width	Ø85 mm
Door thickness range	35-46 mm

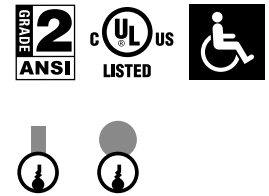


▶ YNSDCZ **Denver**



▶ Dimension

Height	60-65 mm
Lever length	118 mm
Rose width	Ø85 mm
Door thickness range	35-46 mm

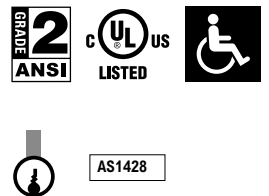


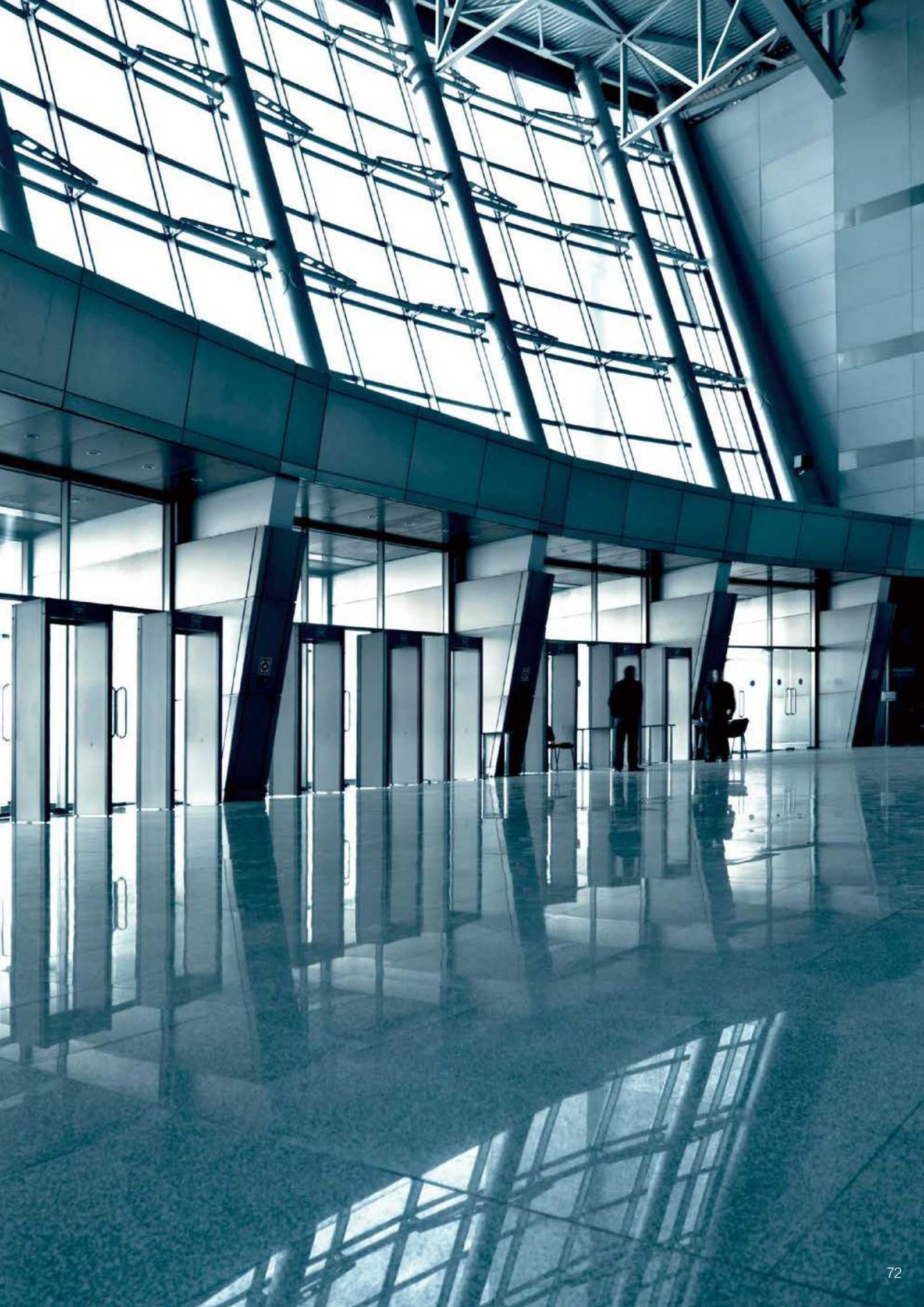
▶ Y5SDCZ



▶ Dimension

Height	60-66 mm
Lever length	130 mm
Rose width	Ø85 mm
Door thickness range	35-46 mm

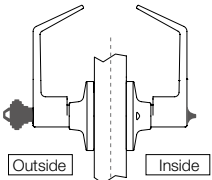
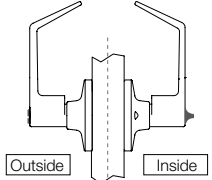
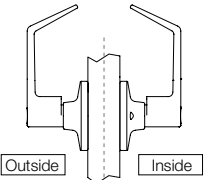
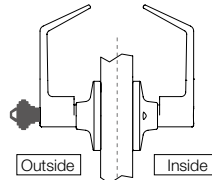
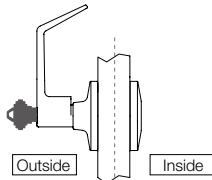


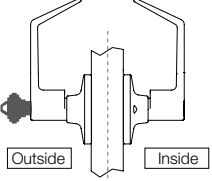
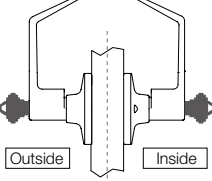
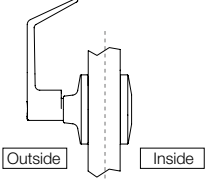
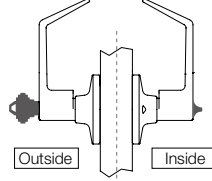






Functions

▪ LB : Standard Cylinder ▪ LD : Interchangeable Core

ANSI A156.2 (2011) Series 4000 Grade 2

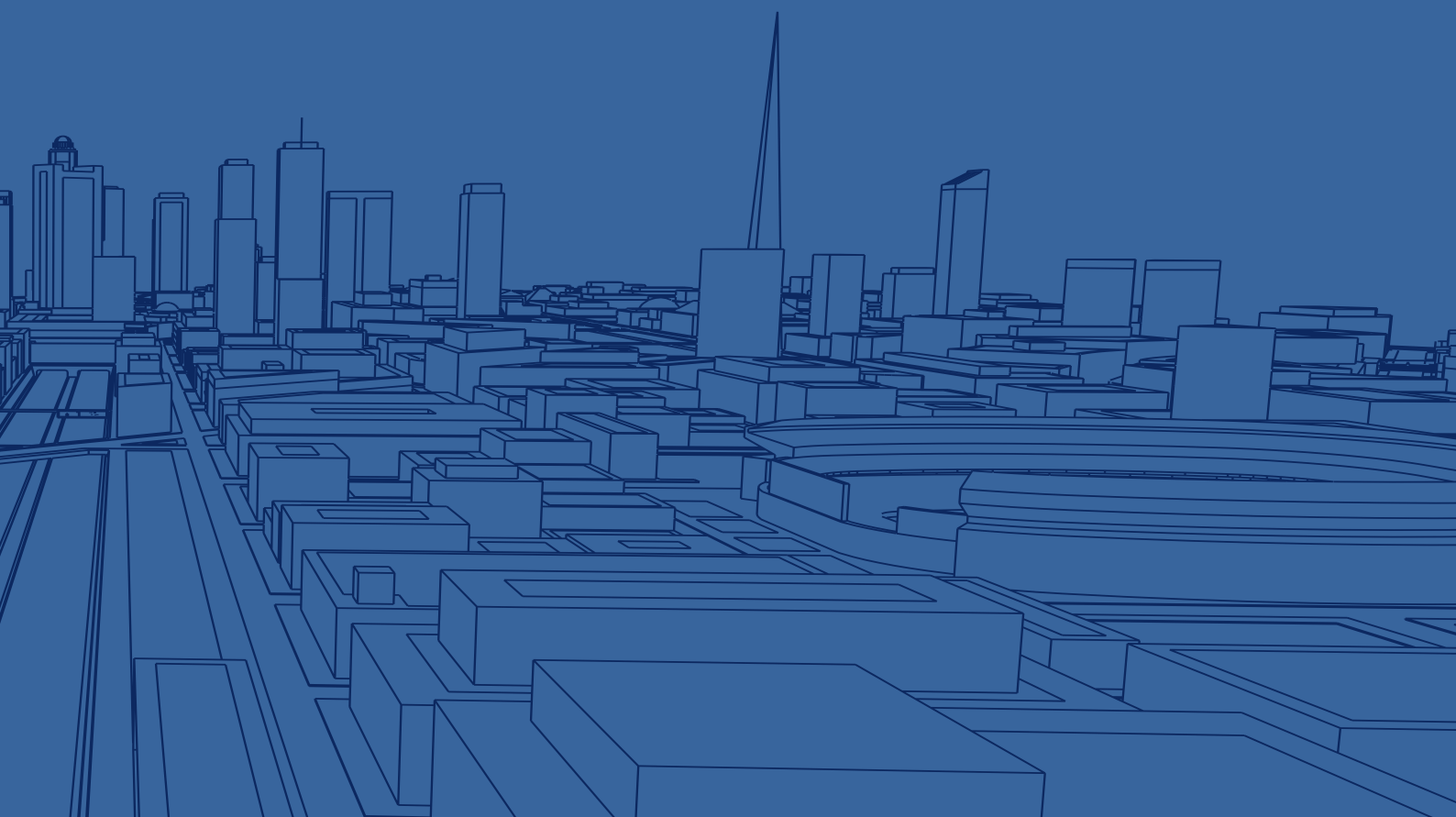
<p>Product LB / LD (F0) ANSI F82A</p> <p>Entry Lock</p> <ul style="list-style-type: none"> ▪ Ideal for entrance or office doors. ▪ Dead locking latch bolt operated by lever from either side except when outside lever is locked by the push button or other locking device on inside. ▪ When outside lever is locked, operating key in outside lever or operating inside lever unlocks push button or other locking device and retracts latch bolt. ▪ Closing door does not release push button or other locking device. 	<p>Product LB / LD (G0) ANSI F76A</p> <p>Privacy, Bedroom or Bath Lock</p> <ul style="list-style-type: none"> ▪ Ideal for lavatory or other privacy doors. ▪ Latch bolt operated by lever from either side. ▪ Outside lever is locked by push button inside and unlocked by emergency release outside, operating inside lever or closing door. 	<p>Product LB / LD (30) ANSI F75</p> <p>Passage or Closet Latch</p> <ul style="list-style-type: none"> ▪ Ideal for doors that do not require locking. ▪ Either lever operates latch bolt at all times. ▪ Latch bolt operated by lever, from either side at all times. 	<p>Product LB / LD (50) ANSI F86</p> <p>Storeroom Lock</p> <ul style="list-style-type: none"> ▪ Ideal for storeroom, utility, or exit doors. ▪ Dead locking latch bolt operated by key in outside lever, or by operating inside lever. ▪ Outside lever is always inoperable. ▪ Operating the key in outside lever shall permit the latch bolt to be retracted by operating the outside lever, providing the key cannot be removed in the unlocked position. ▪ Inside lever always unlocked. 	<p>Product LB / LD (60) ANSI F113</p> <p>Communicating Classroom Lock</p> <ul style="list-style-type: none"> ▪ Ideal for twin communicating or closet doors where one side operation or space between doors is limited. ▪ Dead locking latch bolt operated by lever one side only except when lever is locked by key. ▪ Non removable blank trim or no trim outside. 
 Key	Interior Turn Piece	N/A	Auto-lock	Key
 Key	Interior Lever (Emergency Egress)	Exterior Lever	Key	Interior Lever
<p>Product LB / LD (80) ANSI F84</p> <p>Classroom Lock</p> <p>Ideal for classroom or utility room doors.</p> <p>Dead locking latch bolt operated by lever from either side except when outside lever is locked from outside by key.</p> <p>Operating the key in the lever shall permit the latch bolt to be retracted.</p> <p>When outside lever is locked, latch bolt is operated by inside lever.</p> 	<p>Product LB / LD (90) ANSI F91</p> <p>Store Door Lock</p> <ul style="list-style-type: none"> ▪ Dead locking latch bolt operated by lever from either side except when both levers are locked by key from either side. 	<p>Product LB / LD (A0) ANSI F111</p> <p>Communicating Passage Lock</p> <ul style="list-style-type: none"> ▪ Dead locking latch bolt operated by lever one side only at all times. ▪ Non removable blank trim or no trim outside. 	<p>Product LB / LD (E0) ANSI F81</p> <p>Entry Lock</p> <ul style="list-style-type: none"> ▪ Ideal for entrance or office doors. ▪ Dead locking latch bolt operated by lever from either side except when outside lever is locked by turn button or other locking device inside. ▪ When outside lever is locked, latch bolt is operated by key in outside lever or by operating inside lever. ▪ Turn button or other locking device shall be manually operated to unlock outside lever. 	
 N/A	Key	N/A	Key	Interior Turn Piece
 Key	Interior Lever	Exterior Lever	Key	Interior Turn Piece

Remark:

1. Emergency Egress: Door is unlocked automatically when the lever is turned. Door must be manually re-locked.
2. Auto-lock: Door re-locks itself as soon as it is closed.

Table of Contents

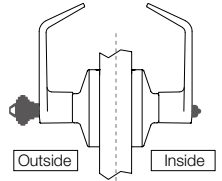
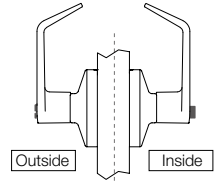
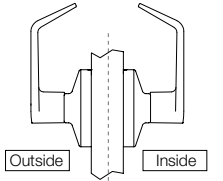
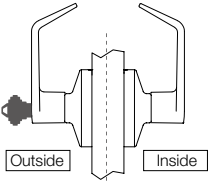
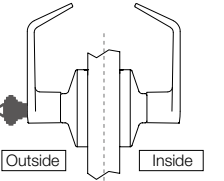

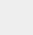
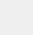
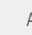
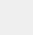
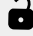
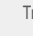
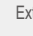
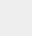
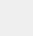
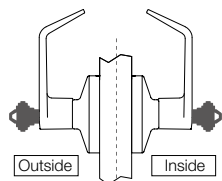
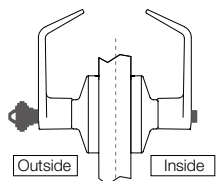
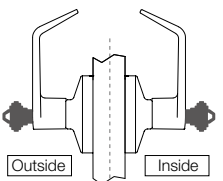
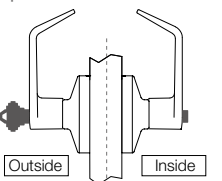
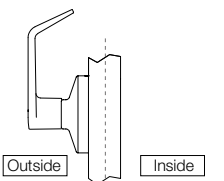

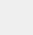
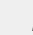
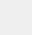
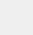

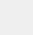
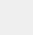
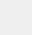
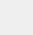
C	Cylindrical Knobset	01-06
D	Deadbolt	07-14
G	Electronic Door Lock	15-22
H	Handleset	23-30
L	Tubular Leverset	31-46
M	Interconnected Leverset	47-50
N	EU Mortice	51-54
T	Tubular Knobset	55-64
Y	Cylindrical Leverset	65-70



Functions

▪ YA : Standard Cylinder ▪ YH : Interchangeable Core

ANSI A156.2 (2011) Series 4000 Grade 1

<p>Product YA / YH (D0) ANSI F109</p> <p>Entry Lock</p> <ul style="list-style-type: none"> ▪ Ideal for entrance or office doors. ▪ Dead locking latch bolt operated by lever from either side except when outside lever is locked by the push or turn button on inside. ▪ Key outside or operating inside lever releases push or turn button unlocking outside lever except when push or turn button has been rotated to keep outside lever locked. ▪ Inside lever always operates latch bolt. 	<p>Product YA (T0) ANSI F76A</p> <p>Privacy, Bedroom or Bath Lock</p> <ul style="list-style-type: none"> ▪ Ideal for lavatory or other privacy doors. ▪ Latch bolt operated by lever from either side. ▪ Outside lever is locked by push button inside and unlocked by emergency release outside, operating inside lever or closing door. 	<p>Product YA (30) ANSI F75</p> <p>Passage or Closet Latch</p> <ul style="list-style-type: none"> ▪ Ideal for doors that do not require locking. ▪ Latch bolt operated by lever, from either side at all times. 	<p>Product YA / YH (S0) ANSI F86</p> <p>Storeroom or Closet Lock</p> <ul style="list-style-type: none"> ▪ Ideal for storeroom, utility, or exit doors. ▪ Dead locking latch bolt operated by key in outside lever, or by operating inside lever. ▪ Outside lever is always inoperable. ▪ Operating the key in outside lever shall permit the latch bolt to be retracted by operating the outside lever, providing the key cannot be removed in the unlocked position. 	<p>Product YA / YH (R0) ANSI F84</p> <p>Classroom Lock</p> <ul style="list-style-type: none"> ▪ Ideal for classroom or utility room doors. ▪ Dead locking latch bolt operated by lever from either side except when outside lever is locked from outside by key. ▪ Operating the key in the lever shall permit the latch bolt to be retracted. ▪ When outside lever is locked, latch bolt is operated by inside lever. 
 N/A Interior Push Button	 N/A Interior Push Button	 N/A N/A	 Auto-lock Auto-lock	 Key N/A
 Key Interior Lever (Emergency Egress)	 Trench (coin) Interior Lever (Emergency Egress)	 Exterior Lever Interior Lever	 Key Interior Lever (Auto-lock)	 Key Interior Lever
<p>Product YA / YH (K0) ANSI F80</p> <p>Communicating Lock</p> <ul style="list-style-type: none"> ▪ Ideal for communicating or store entrance doors. ▪ Dead locking latch bolt operated by lever from either side. ▪ Turning key in either lever locks or unlocks its own lever independently. <p>Do not use on doors in rooms that have no other entrance.</p> 	<p>Product YB / YG (D0) ANSI F82A</p> <p>Entry Lock</p> <ul style="list-style-type: none"> ▪ Ideal for entrance or office doors. ▪ Dead locking latch bolt operated by lever from either side except when outside lever is locked by push button or other locking device on inside. ▪ When outside lever is locked, operating in outside lever or operating inside lever unlocks push button or other locking device and retracts latch bolt ▪ Closing door does not release push button or other locking device. 	<p>Product YA / YH (P0) ANSI F87</p> <p>Utility, Asylum or Institutional Lock</p> <ul style="list-style-type: none"> ▪ Ideal for utility room or institution doors. ▪ Dead locking latch bolt operated by key in lever, from either side. ▪ Both levers always inoperable. ▪ At the option of individual manufacturer, operating the key in the outside lever shall permit the latch bolt to be retracted by operating either the inside or outside lever, providing the key cannot be removed in the unlocked position. 	<p>Product YA / YH (Q0) ANSI F90</p> <p>Corridor Lock</p> <ul style="list-style-type: none"> ▪ Ideal for corridor or connecting doors. ▪ Dead locking latch bolt operated by lever from either side except when outside lever is locked by key in outside lever or by push button or other locking device on inside. ▪ Key in outside lever locks or unlocks the outside lever. ▪ Operating inside lever releases push button or other locking device placed in locking position. ▪ Closing door releases push button or other inside locking device. ▪ Inside lever always operates latch bolt. 	<p>Product YA (40)</p> <p>Inactive Lever</p> 
 Key Same as exterior	 N/A Interior Push Button	 Auto-lock Same as exterior	 Key Interior Push Button	 N/A N/A
 Key Same as exterior	 Key Interior Lever (Emergency Egress)	 Key Same as exterior	 Key Interior Lever Key/Kick-off	 N/A N/A

Remark:

1. Emergency Egress: Door is unlocked automatically when the lever is turned. Door must be manually re-locked.
2. Auto-lock: Door re-locks itself as soon as it is closed.

FAULTLESS®

